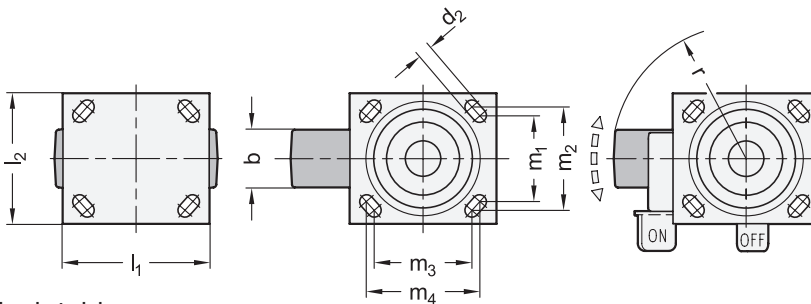


Inch



2 Bearing type

R Roller bearing

3 Bracket type

- B Rigid bracket
- L Swivel bracket with mounting plate
- LF Swivel bracket with mounting plate, with wheel brake

4 Coding

M Medium version

Inch table

Dimensions in: inches

d ₁ Wheel Ø	d ₂	b	h	l ₁	l ₂	l ₃	m ₁	m ₂	m ₃	m ₄	r	Load capacity in lbf
4	3/8	2	5 5/8	4 1/2	4	1 3/8	2 5/8	3	3	3 5/8	3.33	300
5	3/8	2	6 1/2	4 1/2	4	1 9/16	2 5/8	3	3	3 5/8	4.06	350
6	3/8	2	7 1/2	4 1/2	4	1 13/16	2 5/8	3	3	3 5/8	4.79	500
8	3/8	2	9 1/2	4 1/2	4	2 1/4	2 5/8	3	3	3 5/8	6.26	600

Specification

Wheel tread

- Thermoplastic rubber (TPR)
- Light gray
- Hardness 65-70 Shore A

Wheel core

- Plastic, polypropylene (PP)
- Beige

Bracket

- Steel welded construction **ST**
- Zinc plated
- Hardened double ball bearing in the swivel head (Type L / LF)
- Grease fitting on raceway and axle

Operating temperature

-45 °F to 180 °F (-43 °C to 82 °C)

RoHS

On request

With total lock brake

Technical Information

Page

Technical Information for Wheels and Casters QVX
Plastic Characteristics QVX

Medium duty casters WN 22872.1 feature polypropylene wheels, which provide excellent floor protection and resist most chemicals and solvents. The dense polypropylene core is securely bonded to a soft TPR tread. The tread ensures smooth rolling with minimal noise. These caster wheels are washable and perform admirably in wet conditions. These wheels are NSF listed.

Where used:

- Institutional and food service
- Applications where a shock-absorbing cushioned ride is needed
- Applications where floor protection is needed
- Hospitality and medical equipment
- Pharmaceutical industry
- Stocking, laundry and hotel carts

How to order

1	Wheel diameter d ₁
2	Bearing type
3	Bracket type
4	Coding
5	Bracket material

WN 22872.1-4-R-LF-M-ST