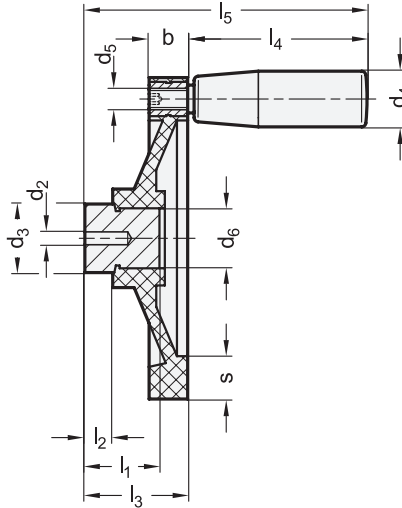
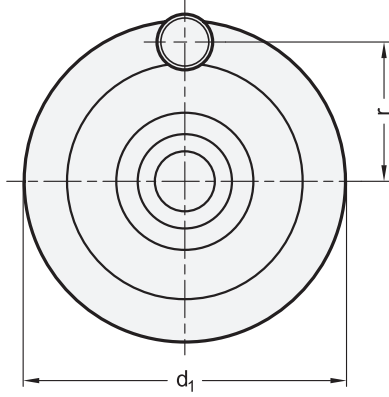


Universal



**3 Type**

**D** With revolving handle

**Universal table**

Dimensions in: millimeters / inches

<b>1</b> $d_1$	<b>2</b> $d_2$ Pilot hole	<b>b</b>	$d_3$	$d_4$	$d_5$	$d_6$	$l_1$	$l_2$	$l_3$	$l_4$	$l_5$	$r$	$s$
150 5.91	P 6	18 0.71	32 1.26	26 1.02	M 10	28 1.10	37 1.46	13 0.51	48 1.89	80 3.15	128 5.04	65 2.56	20 0.79

**Specification**

**Body**

- Plastic, Phenolic (PF)
- Operating temperature up to 300 °F (150 °C)
- Black

**Hub bushing**

Stainless steel AISI 303

**Revolving handle**

- Plastic, Phenolic (PF)
- Black, shiny finish
- Threaded spindle
- Steel, zinc plated

RoHS

**On request**

- Other modifications such as inch and metric bores, keyways, set screw holes, etc.

Solid disk handwheels VPRA-MS with revolving handle are distinguished by modern design. An excellent choice for light-medium duty applications.

**Technical Information**

Technical Information	Page
Keyways WN 6885 / DIN 6885-1	QVX
Plastic Characteristics	QVX

**Accessory**

<b>GN 184</b> Countersunk Washers (for Axial Fixing)	QVX
--	-----

**How to order**

**VPRA-MS-150-P6-D**

<b>1</b>	Handwheel diameter $d_1$
<b>2</b>	Pilot hole $d_2$
<b>3</b>	Type

1.1  
1.2  
1.3  
1.4  
2.1  
2.2  
2.3  
2.4

