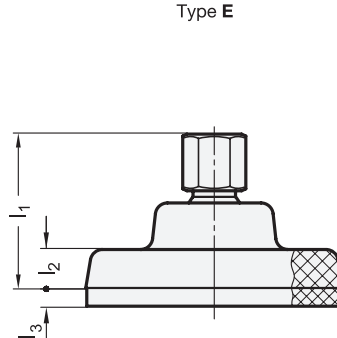
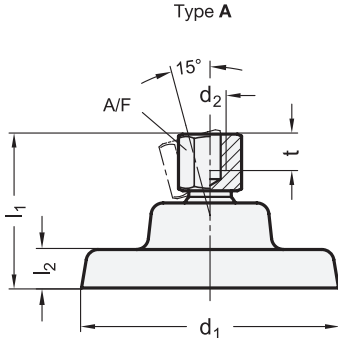


Inch



SS Stainless Steel

3 Type

- A Without pad
- E With rubber pad

Inch table

1 d_1	2 d_2	l_1	l_2	l_3	A/F	t	Max. load
5.00 127	5/8 x 11	3.00 76.2	0.83 21.1	0.315 8	1.06 26.9	0.75 19.1	10000 lbf 44482.22 N
5.00 127	3/4 x 10	3.00 76.2	0.83 21.1	0.315 8	1.06 26.9	0.75 19.1	10000 lbf 44482.22 N
5.00 127	1 x 8	3.00 76.2	0.83 21.1	0.315 8	1.38 35.1	0.75 19.1	10000 lbf 44482.22 N
5.00 127	1 1/8 x 7	3.00 76.2	0.83 21.1	0.315 8	1.38 35.1	0.75 19.1	10000 lbf 44482.22 N

Dimensions in: inches / millimeters

Specification

PM 500

Tapped socket

- Low carbon steel
- Clear zinc plated
- Forged

PM 500.1

Tapped socket

- Stainless steel AISI 303
- Forged

Base

- Nylon plastic
- Glass fiber reinforced
- With pop-out mounting holes

Rubber pad

- Elastomer, non-skid

RoHS

On request

- Metric sizes
- „Socket Lock“ technology to lock tapped socket into place, preventing pullout in especially harsh applications

„PolyMount“™ leveling mounts PM 500 and PM 500.1 are an economical choice for light, medium, and heavy-duty applications.

The mount swivels 15° to all sides of the center line to adjust to uneven surfaces.

A tool such as a screwdriver is necessary to pop out the tabs for access to the mounting holes.

To determine the proper mount size and required load per mount, divide the equipment’s weight by the number of mounts needed.

see also...

PM 500 | PM 500.1 „PolyMount“™ Leveling Mounts (Threaded Stud Type) QVX

PM 600 | PM 600.1 „PolyMount“™ Leveling Mounts (Threaded Stud Type, Teardrop Shape) QVX

Technical Information

Plastic Characteristics QVX

Stainless Steel Characteristics QVX

How to order (Steel)

PM 500-5.00-5/8X11-A

- 1** Base diameter d_1
- 2** Thread d_2
- 3** Type

How to order (Stainless steel)

PM 500.1-5.00-11/8X7-E

- 1** Base diameter d_1
- 2** Thread d_2
- 3** Type

3.1
3.2
3.3
3.4
3.5
3.6
3.7
3.8
3.9
3.10