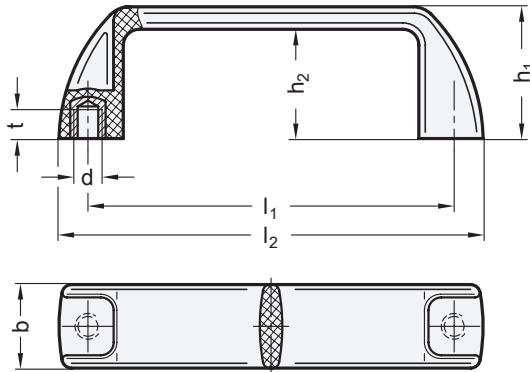


Inch | Metric



Inch table

Dimensions in: inches - millimeters

¹ b	² d Thread		³ l ₁	h ₁	h ₂	l ₂	t
0.83 21	1/4 x 20	-	3.68 93.5	1.42 36	1.18 30	4.41 112	0.35 9
1.02 26	1/4 x 20	5/16 x 18	4.61 117	1.61 41	1.34 34	5.47 139	0.35 9
1.06 27	1/4 x 20	5/16 x 18	5.20 132	1.77 45	1.46 37	6.14 156	0.35 9
1.10 28	5/16 x 18	-	7.05 179	1.97 50	1.65 42	8.03 204	0.35 9

Metric table

Dimensions in: millimeters - inches

¹ b	² d Thread		³ l ₁	h ₁	h ₂	l ₂	t
21 0.83	M 6	-	93.5 3.68	36 1.42	30 1.18	112 4.41	9 0.35
26 1.02	M 6	M 8	117 4.61	41 1.61	34 1.34	139 5.47	9 0.35
27 1.06	M 6	M 8	132 5.20	45 1.77	37 1.46	156 6.14	9 0.35
28 1.10	M 8	-	179 7.05	50 1.97	42 1.65	204 8.03	9 0.35

Specification

- Nylon plastic
 - Black, RAL 9005, matte finish ● **SW**
 - Glass fiber reinforced
 - Temperature resistant up to 230 °F (110 °C)
- Tapped inserts
Brass
- Strength Values → page 2081
- Plastic Characteristics → page 2135
- RoHS compliant

On request

- Additional colors
- Various metric and inch size fasteners and kit packaging

Information

Further enhancing the ergonomic styling of our MF cabinet “U” handles, we have developed the MFB cabinet “U” handles to give this style a broader range of mounting possibilities.

see also...

- Cabinet “U” Handles MT → page 111
- Cabinet “U” Handles GN 565 → page 98

How to order (Inch)	¹ Handle width b
	² Thread d
¹ ² ³ ⁴ MFB-27-1/4X20-132-SW	³ Length l ₁
	⁴ Color

How to order (Metric)	¹ Handle width b
	² Thread d
¹ ² ³ ⁴ MFB-26-M8-117-SW	³ Length l ₁
	⁴ Color