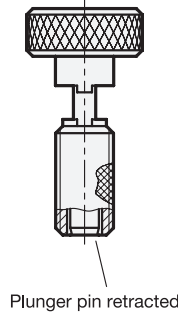
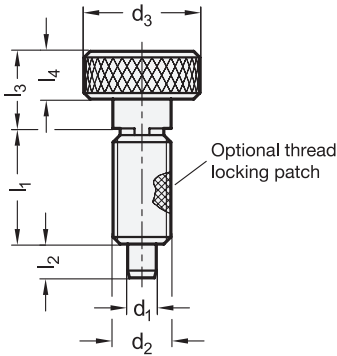


3.1
3.2
3.3
3.4
3.5
3.6
3.7
3.8
3.9
3.10

Inch



SS Stainless Steel

- 3 Type**
- ST** Steel, without thread locking patch
 - STP** Steel, with thread locking patch
 - NI** Stainless steel, without thread locking patch
 - NIP** Stainless steel, with thread locking patch

Inch table

d ₁	d ₂	d ₃	l ₁	l ₂	l ₃	l ₄	Spring load ≈	
							Initial	End
0.104 2.6	10 x 32	0.375 9.5	0.400 10.2	0.09 2.3	0.250 6.4	0.130 3.3	0.50 lbf 2.22 N	3.00 lbf 13.34 N
0.124 3.1	1/4 x 20	0.500 12.7	0.500 12.7	0.13 3.3	0.313 8	0.190 4.8	1.00 lbf 4.45 N	4.00 lbf 17.79 N
0.155 3.9	5/16 x 18	0.625 15.9	0.625 15.9	0.19 4.8	0.375 9.5	0.250 6.4	1.00 lbf 4.45 N	6.00 lbf 26.68 N
0.186 4.7	3/8 x 16	0.750 19.1	0.750 19.1	0.22 5.6	0.500 12.7	0.310 7.9	1.00 lbf 4.45 N	8.00 lbf 35.58 N
0.249 6.3	1/2 x 13	1.000 25.4	0.875 22.2	0.25 6.4	0.625 15.9	0.380 9.7	1.00 lbf 4.45 N	10.00 lbf 44.48 N

Dimensions in: inches / millimeters

Specification

HRSP

- Threaded body
Low carbon steel, zinc plated
- Plunger pin
Case-hardened steel, zinc plated
- Spring
Steel

HRSS

- Threaded body
Stainless steel AISI 303
- Plunger pin
Stainless steel AISI 303
- Spring
Stainless steel

RoHS

Hand retractable spring plungers HRSP and HRSS are intended for use in certain corrosion free environments where an application requiring a part to be located or indexed into a particular position is needed and where the pin is not required to remain retracted for long periods of time.

see also... **Page**
List of Indexing Plunger Types QVX

Technical Information **QVX**
Stainless Steel Characteristics

<p>How to order (Steel)</p> <p>HRSP-0.104-10X32-ST</p>	1 Pin diameter d ₁
	2 Thread d ₂
	3 Type

<p>How to order (Stainless steel)</p> <p>HRSS-0.249-1/2X13-NI</p>	1 Pin diameter d ₁
	2 Thread d ₂
	3 Type