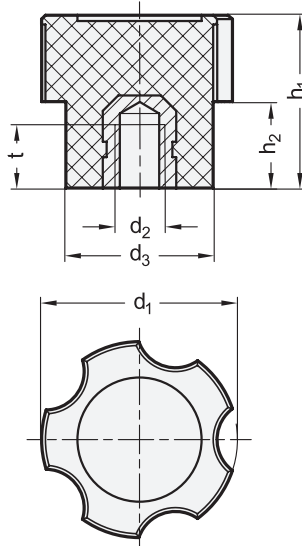


Inch



Inch table

Dimensions in: inches / millimeters

| d₁ | d₂ | | | d₃ | h₁ | h₂ | t |
|----------------------|----------------------|----------|----------|----------------------|----------------------|----------------------|--------------|
| 1.00 25.4 | 1/4 x 20 | - | - | 0.75 19.1 | 0.88 22.4 | 0.44 11.2 | 0.38 9.7 |
| 1.00 25.4 | 5/16 x 18 | 3/8 x 16 | - | 0.75 19.1 | 0.88 22.4 | 0.44 11.2 | 0.50 12.7 |
| 1.19 30.2 | 1/4 x 20 | - | - | 0.81 20.6 | 0.81 20.6 | 0.38 9.7 | 0.38 9.7 |
| 1.19 30.2 | 5/16 x 18 | 3/8 x 16 | - | 0.81 20.6 | 0.81 20.6 | 0.38 9.7 | 0.50 12.7 |
| 1.63 41.4 | 1/4 x 20 | - | - | 1.16 29.5 | 0.88 22.4 | 0.28 7.1 | 0.38 9.7 |
| 1.63 41.4 | 5/16 x 18 | 3/8 x 16 | - | 1.16 29.5 | 0.88 22.4 | 0.28 7.1 | 0.50 12.7 |
| 2.50 63.5 | 5/16 x 18 | 3/8 x 16 | 1/2 x 13 | 1.25 31.8 | 1.50 38.1 | 0.66 16.8 | 0.50 12.7 |

Specification

Five-lobed knob

Plastic, phenolic (PF)

- Operating temperature up to 300 °F (149 °C)
- Black, shiny finish

Tapped insert

Brass

RoHS

On request

- Additional thread sizes

HK is an attractive five-lobed knob that can be used for a variety of clamping applications.

Technical Information

Plastic Characteristics

Page

QVX

How to order

HK-1.63-5/16X18

1 Handle diameter **d₁**

2 Thread **d₂**

1.1
1.2
1.3
1.4
2.1
2.2
2.3
2.4

