

**GB1**

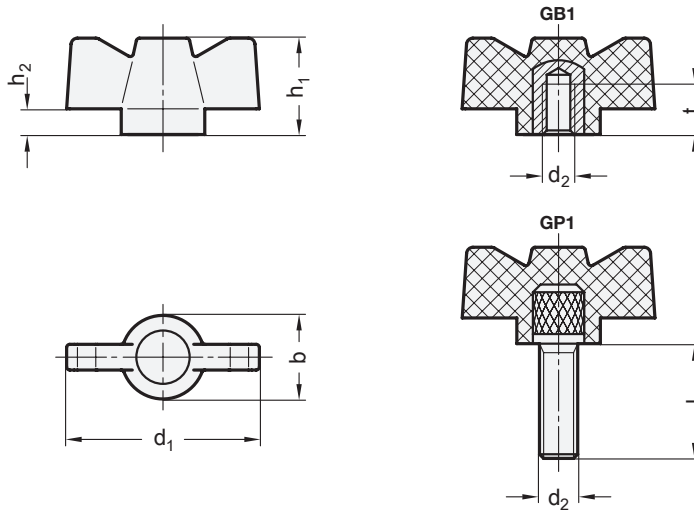
Brass Tapped Insert

**GP1**

Steel Threaded Stud

**Wing Nuts / Wing Screws**

Nylon Plastic

**Metric table**

Dimensions in: millimeters - inches

1 d <sub>1</sub>	2 d <sub>2</sub>		3 Length l		b	h <sub>1</sub>		h <sub>2</sub>	t
	GB1	GP1				GB1	GP1		
30 1.18	M 4	M 5	15 0.59	-	13 0.51	15 0.59	11 0.43	4 0.16	9 0.35
30 1.18	M 6	M 8	15 0.59	25 0.98	13 0.51	15 0.59	11 0.43	4 0.16	9 0.35

**Specification**

- Wing body  
Nylon plastic  
- Glass filled  
- Temperature resistant up to 230 °F (110 °C)  
- Black, matte finish
- Tapped insert  
Brass
- Threaded stud  
Steel, zinc plated
- *Plastic Characteristics* → page 2135
- RoHS compliant

**Information**

GB1 wing nuts and GP1 wing screws offer an extended hub for better surface contact and a comfortable grip for quick two finger clamping applications.

<b>How to order (Brass tapped insert)</b> 1 2 <b>GB1-30-M6</b>	1	Handle diameter d <sub>1</sub>
	2	Thread d <sub>2</sub>
<b>How to order (Steel threaded stud)</b> 1 2 3 <b>GP1-30-M8-15</b>	1	Handle diameter d <sub>1</sub>
	2	Thread d <sub>2</sub>
	3	Length l