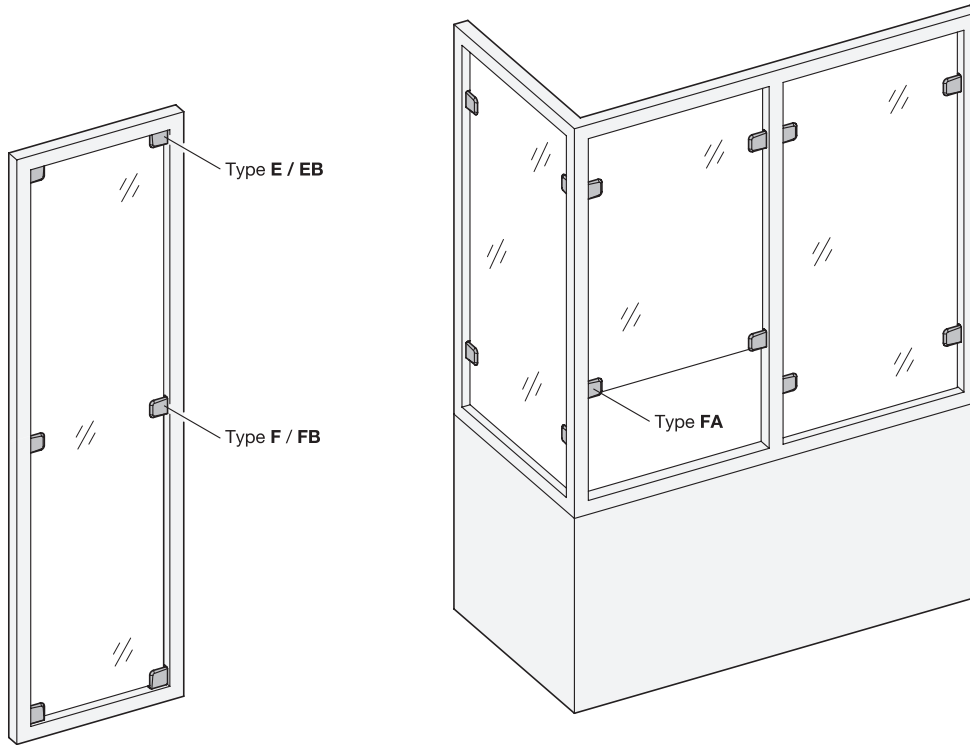


Application examples



Application instruction

