

Metric table

Dimensions in: millimeters - inches

l ₁	l ₂	s		d ₁ -0.2	d ₂ Clamping screw	d ₃ For screw	h ₁	h ₂	h ₃	A/F
		Nominal size	Clamping range							
92 3.62	60 2.36	4 0.16	4 ... 8 0.16 ... 0.31	13 0.512	M 6	M 6	9.5 0.37	9.5 0.37	17 0.67	T30
122 4.80	90 3.54	8 0.31	8 ... 12 0.31 ... 0.47	16 0.630	M 8	M 8	13.5 0.53	13.5 0.53	25 0.98	T45

Specification

- Body
Zinc die-cast **ZD**
Powder coated
- Black, RAL 9005, textured finish **● SW**
- Silver, RAL 9006, textured finish **● SR**
- Pin
Stainless steel AISI 303
- Shim washers
Stainless steel AISI 316L
- Clamping screws
Stainless steel AISI 304
- Spacer sleeves
Plastic
Technopolymer (Polyamide PA)
- Rubber inserts
Elastomer (TPE)
- [Load Rating Information](#) → page QVX
- [Plastic Characteristics](#) → page QVX
- [Stainless Steel Characteristics](#) → page QVX
- [RoHS](#)

Information

Hinges GN 938 are used to fasten door panes, e.g. made of glass or plastic, so that they can rotate. They are designed to match the panel support clamp GN 939.

The panels (door panes) are clamped between the rubber inserts and additionally secured with spacer sleeves, forming a positive connection.

If the hinges are used with profile systems with 6, 8 or 10 mm slots, T-nuts GN 938.1 are available as mounting accessories. These make it easy to align the hinges and protect them from twisting.

The covers are supplied loose. They are slid on sideways after assembly and lock into place automatically.

see also...

- [Product Family Standard Parts for Profile Systems](#) → page QVX
- [List of Hinge Types](#) → page QVX
- [T-Nuts GN 938.1](#) → page QVX
- [Panel Support Clamps GN 939 \(Zinc Die-Cast, for Panels\)](#) → page QVX
- [Hinges EN 237.1 \(Plastic, for Panels\)](#) → page QVX
- [Panel Support Clamp EN 649 \(Plastic, for Panels\)](#) → page QVX

Accessory

- T-Nuts GN 938.1 → page XYZ

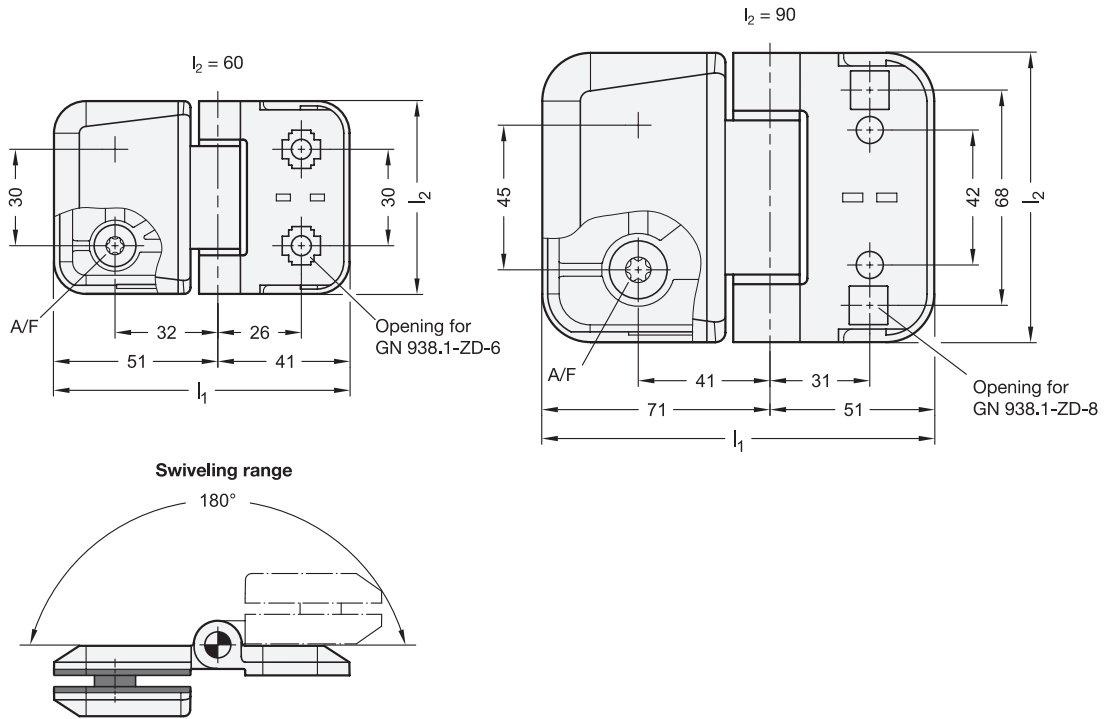
On request

- Other colors

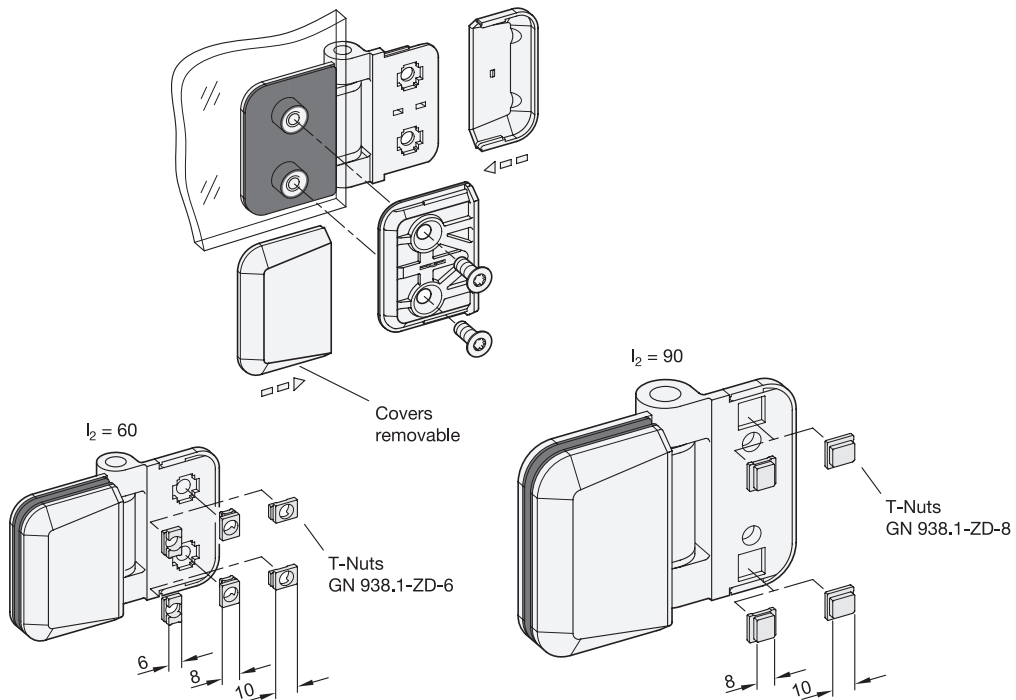
How to order	
1	Material
2	Width l ₁
3	Length l ₂
4	s (Nominal size)
5	Finish

1 2 3 4 5
GN 938-ZD-122-90-8-SR

3.1
3.2
3.3
3.4
3.5
3.6
3.7
3.8
3.9
3.10



Assembly Instructions



Application Example

