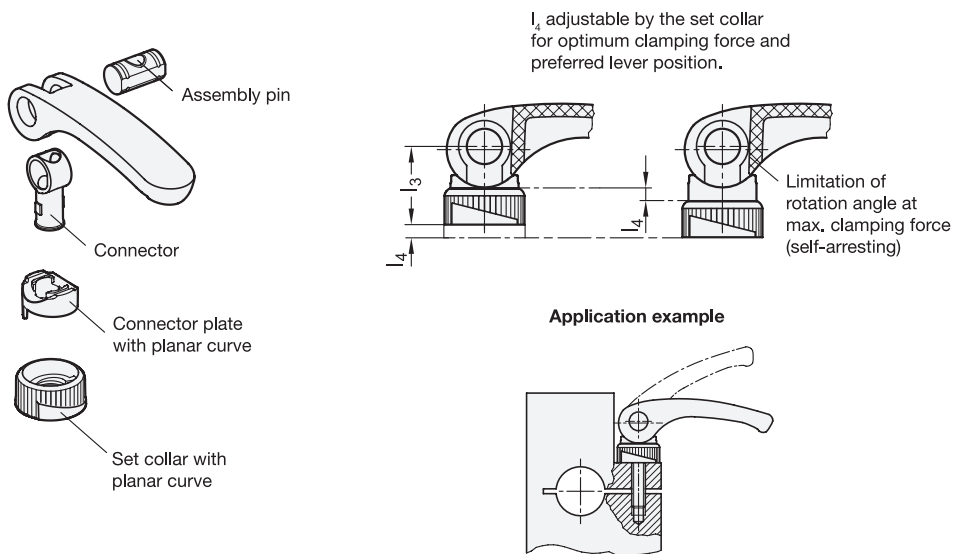




**Constructional features (Type A) / Application example**



1.1  
1.2  
1.3  
1.4  
2.1  
2.2  
2.3  
2.4

