

# DIN 906

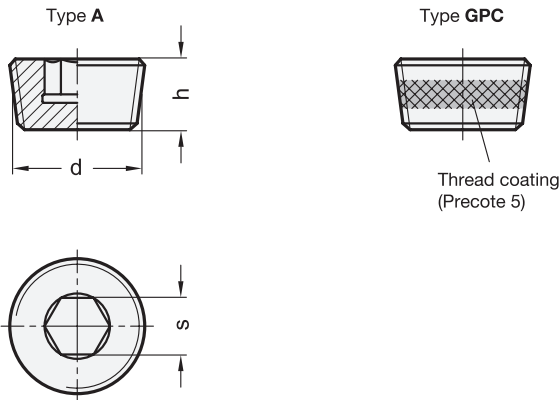
Steel / Stainless Steel

# Threaded Plugs

with Tapered Thread



**JWWINCO®**  
A Ganter Company



**SS** Stainless Steel

### 3 Type

- A** Without thread coating
- GPC** With thread coating

## Metric table

2

Dimensions in: millimeters - inches

d		Pipe thread		h	s
Fine thread	Stainless steel	Steel	Stainless steel		
M 6 x 1	-	-	-	6 0.24	3 0.12
M 8 x 1	M 8 x 1	-	-	8 0.31	4 0.16
M 10 x 1	M 10 x 1	R 1/8	R 1/8	8 0.31	5 0.20
M 12 x 1.5	M 12 x 1.5	-	-	10 0.39	6 0.24
M 14 x 1.5	M 14 x 1.5	R 1/4	R 1/4	10 0.39	7 0.28
M 16 x 1.5	M 16 x 1.5	-	-	10 0.39	8 0.31
M 18 x 1.5	M 18 x 1.5	R 3/8	R 3/8	10 0.39	8 0.31
M 20 x 1.5	M 20 x 1.5	R 1/2	R 1/2	10 0.39	10 0.39
M 22 x 1.5	M 22 x 1.5	-	-	10 0.39	10 0.39
M 24 x 1.5	M 24 x 1.5	-	-	12 0.47	12 0.47
M 26 x 1.5	-	R 3/4	R 3/4	12 0.47	12 0.47
M 30 x 1.5	-	R 1	R 1	12 0.47	17 0.67
M 36 x 1.5	-	-	-	15 0.59	19 0.75
M 42 x 1.5	-	R 1 1/4	-	18 0.71	22 0.87
M 45 x 1.5	-	-	-	18 0.71	22 0.87
M 48 x 1.5	-	R 1 1/2	-	20 0.79	24 0.94

## Specification

1

- Steel **ST**
  - Ultrasonically and tensile tested
  - Zinc plated, blue passivated finish
- Stainless steel AISI 303 **NI**
- GPC Thread Coating (Precote 5) → page 2152
- Stainless Steel Characteristics → page 2143
- RoHS compliant

## Information

DIN 906 threaded plugs are used to close bore holes with cylindrical internal thread. The tightness depends on the material, the pressure, the temperature as well as the material pairing. The version with GPC thread coating provides a higher degree of safety.

How to order	1 Material
<b>DIN906-ST-M36X1.5-GPC</b>	2 Fine thread d (Pipe thread d)
	3 Type