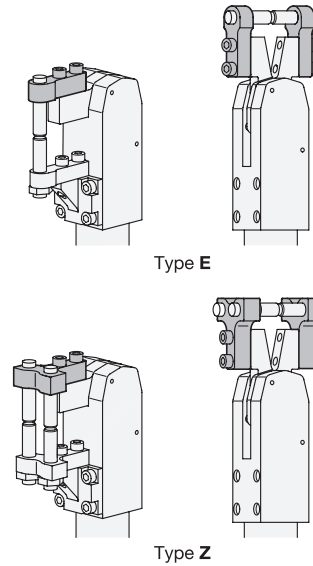


Mounting examples



**3 Type**  
**E** For one clamping bolt  
**Z** For two clamping bolts

**Metric table**

Dimensions in: millimeters - inches

For pneumatic clamps Size	<sup>1</sup> b -0.2	<sup>2</sup> d <sub>1</sub>	d <sub>2</sub> <sup>H8/h6</sup>	d <sub>3</sub>	h	l <sub>1</sub>	l <sub>2</sub>	l <sub>3</sub>	l <sub>4</sub>	m <sub>1</sub>	m <sub>2</sub>	m <sub>3</sub>
20 0.79	10 0.394	M 8	7 0.276	M 5	10 0.39	37 1.46	13 0.51	30 1.18	19.5 0.77	12 0.47	14.5 0.57	17 0.67
32 1.26	12 0.472	M 10	9 0.354	M 6	12 0.47	53 2.09	17 0.67	40 1.57	29.5 1.16	18 0.71	20.9 0.82	23 0.91
40 1.57	16 0.630	M 12	11 0.433	M 8	14 0.55	63 2.48	20 0.79	50 1.97	34 1.34	22 0.87	23.5 0.93	30 1.18
50 1.97	18 0.709	M 12	13 0.512	M 10	16 0.63	73 2.87	20 0.79	60 2.36	34 1.34	27 1.06	28.5 1.12	40 1.57

**Specification**

- Coupling  
Steel C45  
Chemically nickel plated **NC**
- Socket cap screws DIN 912,  
centering guide bushings  
Steel, blackened finish
- ISO Fundamental Tolerances → page 2129
- RoHS compliant

**Information**

GN 867 single post coupling / Y-coupling accessories are suitable for use on clamping arms of the pneumatic fastening clamp series GN 864 / GN 865 / GN 866.

Y-coupling accessories for two clamping bolts (type Z) are preferably used for rigid clamping of sheet metal components. Typically the GN 605 socket set screws are the best choice for clamping sheet metal. They are not included and need to be ordered separately.

Socket cap screws and centering guide bushings are included.

see also...

- Socket Set Screws GN 605 → page 1102

How to order

<sup>1</sup> <sup>2</sup> <sup>3</sup> <sup>4</sup>  
**GN867-12-M10-E-NC**

- 1** Width b
- 2** Thread d<sub>1</sub>
- 3** Type
- 4** Finish