

**SS** Stainless Steel

**2 Type**

- T2** With mounting holes, with U-bolt latch, with catch
- T** With mounting holes, without U-bolt latch, with catch
- T2S** Weldable, with U-bolt latch, with catch
- TS** Weldable, without U-bolt latch, with catch

**Metric table**



Dimensions in: millimeters - inches

Size	F <sub>H</sub> Holding capacity	a <sub>1</sub>	a <sub>2</sub>	b <sub>1</sub>	b <sub>2</sub>	b <sub>3</sub>	b <sub>4</sub>	b <sub>5</sub>	b <sub>6</sub>	b <sub>7</sub>	b <sub>8</sub>	b <sub>9</sub>	d <sub>1</sub>	d <sub>2</sub>	d <sub>3</sub>	h <sub>1</sub> ≈
1700	14000 N 3147 lbf	22 0.87	21 0.83	68 2.68	64 2.52	46 1.81	48 1.89	68 2.68	26.5 1.04	38 1.50	28 1.10	6 0.24	M 10	8.5 0.33	14 0.55	55 2.17
4000	30000 N 6744 lbf	28 1.10	27 1.06	85 3.35	80 3.15	55 2.17	60 2.36	80 3.15	32 1.26	50 1.97	32 1.26	6 0.24	M 12	10.5 0.41	16 0.63	68 2.68

Size	h <sub>2</sub>	l <sub>1</sub> ≈ Type T2S / TS Type T2 / T	l <sub>2</sub> min.	l <sub>3</sub> ≈	m <sub>1</sub>	m <sub>2</sub>	m <sub>3</sub>	m <sub>4</sub>	m <sub>5</sub>	r ≈ at w <sub>2</sub> = 0	s	t	w <sub>1</sub> Stroke	w <sub>2</sub> ≈ Adjustable range
1700	34.5 1.36	218 8.58 223 8.78	33 1.30	129 5.08	45 1.77	11.5 0.45	45 1.77	10 0.39	28 1.10	96 3.78	7 0.28	2 0.08	54 2.13	15 0.59
4000	42.5 1.67	265 10.43 271 10.67	30 1.18	151 5.94	57 2.24	14 0.55	57 2.24	12.5 0.49	35 1.38	107 4.21	9 0.35	2 0.08	62 2.44	25 0.98

**Specification**



- Base / catch / clamping lever / U-bolt latch  
Stainless steel AISI 304 **NI**
- Other parts  
Stainless steel AISI 303
- All moving parts lubricated with special grease
- *Stainless Steel Characteristics* → page 2143
- [RoHS compliant](#)

**Information**

GN 852 heavy duty latch type toggle clamps are used for very high holding forces, as may be required in plastic high pressure mold forming.

The stroke of the U-bolt latch can be adjusted within its range.

In addition to the standard lengths of the U-bolt latches shown in the table, a variety of other lengths are also available under the GN 951.2 series.

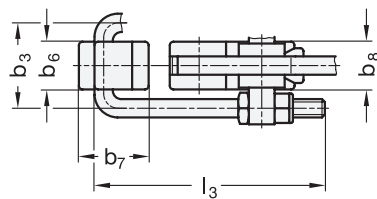
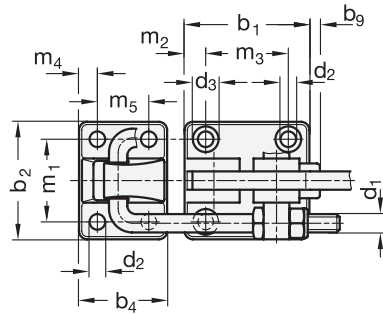
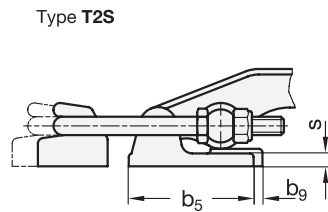
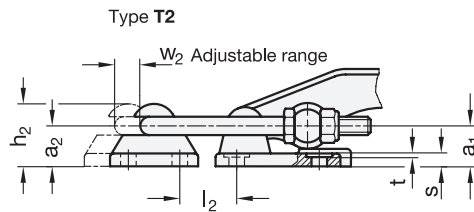
see also...

- *General Information on Toggle Clamps* → page 756
- *Heavy Latch Type Toggle Clamps GN 852 (Steel)* → page 812
- *Heavy Latch Type Toggle Clamps GN 852.3 (Stainless Steel, with Safety Hook)* → page 818
- *Square U-Bolts GN 951.2* → page 824

How to order

**GN 852-4000-T2-NI**

- 1** Size
- 2** Type
- 3** Material



1.1  
1.2  
1.3  
1.4  
2.1  
2.2  
2.3  
2.4

