

# GN 851

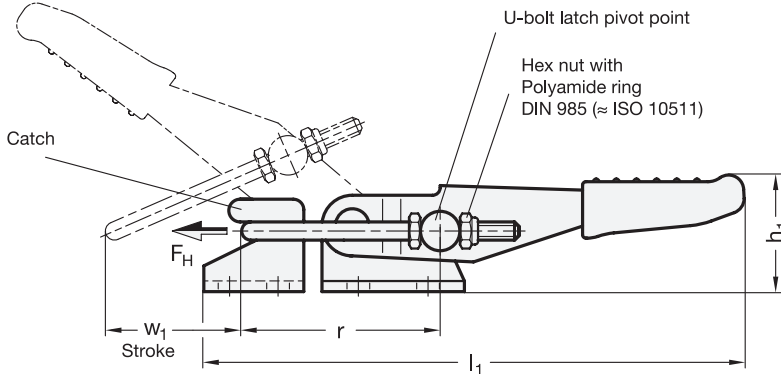
Steel / Stainless Steel

## Horizontal Latch Type Toggle Clamps

with Horizontal Mounting Base



**JW WINCO®**  
A Ganter Company



Metric



**SS** Stainless Steel

**2** Type

T2 With U-bolt latch, with catch

T Without U-bolt latch, with catch

### Metric table



Dimensions in: millimeters - inches

Size	F <sub>H</sub> Holding capacity	a	b <sub>1</sub>	b <sub>2</sub>	b <sub>3</sub>	b <sub>4</sub>	b <sub>5</sub>	d <sub>1</sub> Thread	d <sub>2</sub>	h <sub>1</sub> ≈	h <sub>2</sub>
160	1600 N 360 lbf	12 0.47	26 1.02	28 1.10	21 0.83	20 0.79	14 0.55	M 4	4.3 0.17	26 1.02	18 0.71
320	3200 N 719 lbf	16 0.63	40 1.57	44 1.73	32 1.26	28 1.10	22 0.87	M 6	6.5 0.26	30 1.18	25 0.98
700	7500 N 1686 lbf	24 0.94	60 2.36	54 2.13	38 1.50	38 1.50	26 1.02	M 8	8.5 0.33	42 1.65	36 1.42

Size	l <sub>1</sub> ≈	l <sub>2</sub> min.	m <sub>1</sub>	m <sub>2</sub>	m <sub>3</sub>	m <sub>4</sub>	m <sub>5</sub>	r ≈ at w <sub>2</sub> = 0	s	w <sub>1</sub> Stroke	w <sub>2</sub> ≈ Adjustable range
160	98 3.86	11 0.43	19 0.75	5 0.20	16 0.63	5 0.20	10 0.39	35 1.38	2 0.08	25 0.98	11 0.43
320	152 5.98	19 0.75	32 1.26	10.5 0.41	19 0.75	7 0.28	14.3 0.56	54 2.13	3 0.12	48 1.89	13 0.51
700	220 8.66	21 0.83	38 1.50	9.5 0.37	41.5 1.63	9.5 0.37	19 0.75	70 2.76	3.5 0.14	58 2.28	26 1.02

### Specification



- Toggle clamp
  - Case-hardened steel C10 —
  - Zinc plated, blue passivated finish
  - U-bolt latch Steel St. 37
  - Zinc plated, blue passivated finish
- Stainless steel **NI**
  - Parts in sheet metal / U-bolt latch AISI 304
  - Pin AISI 303
- All moving parts lubricated with special grease
- Hand grip High quality, oil resistant red plastic
- *Stainless Steel Characteristics* → page 2143
- **RoHS compliant**

### Information

The stroke of the U-bolt latch of GN 851 horizontal latch type toggle clamps can be adjusted within its range. The circular movement of the handle is transformed into linear action of the latch. These clamps are mostly used to fasten hinged lids on containers.

In the clamped position the U-bolt latch with clamping arm is parallel to the plane of the operating handle.

In addition to the standard lengths of the U-bolt latches shown in the table, a variety of other lengths are also available under the GN 951.1 series.

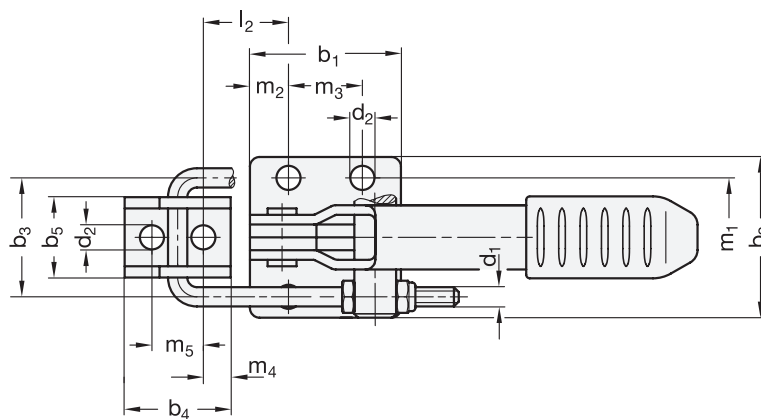
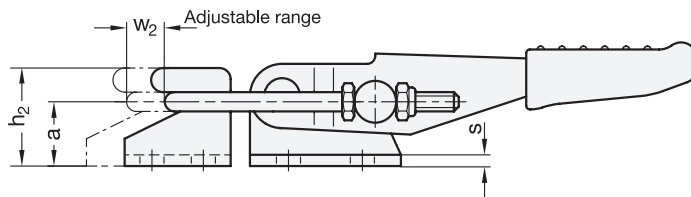
see also...

• *General Information on Toggle Clamps* → page 756

• *Square U-Bolts GN 951.1* → page 822

How to order (Steel)	
<b>1</b> Size	<b>GN851-320-T2</b>
<b>2</b> Type	

How to order (Stainless steel)	
<b>1</b> Size	<b>GN851-160-T2-NI</b>
<b>2</b> Type	
<b>3</b> Material	



1.1  
1.2  
1.3  
1.4  
2.1  
2.2  
2.3  
2.4

