

**SS** Stainless Steel

**2** Type

**AS** Without mounting bracket  
**ASW** With mounting bracket

**Metric table**

**1**

Dimensions in: millimeters - inches

Size	F <sub>H</sub> Holding capacity	a	b <sub>1</sub>	b <sub>2</sub>	d <sub>1</sub>	d <sub>2</sub>	d <sub>3</sub>	d <sub>4</sub>	h <sub>1</sub> ≈	h <sub>2</sub>	h <sub>3</sub>
80	3000 N 674 lbf	24 0.94	35 1.38	30 1.18	10 0.39	M 6	M 16 x 1.5	5.5 0.22	70.5 2.78	38.5 1.52	19 0.75
165	5400 N 1214 lbf	32 1.26	60 2.36	35 1.38	12 0.47	M 8	M 20 x 1.5	6.5 0.26	110 4.33	50 1.97	22 0.87
340	7000 N 1574 lbf	48 1.89	75 2.95	47.6 1.87	16 0.63	M 10	M 24 x 2	8.5 0.33	146 5.75	70 2.76	30 1.18

Size	l <sub>1</sub> ≈	l <sub>2</sub> ≈	l <sub>3</sub> ≈	l <sub>4</sub> ≈	l <sub>5</sub>	m <sub>1</sub>	m <sub>2</sub>	m <sub>3</sub>	s	t	w Stroke
80	71 2.80	65 2.56	34 1.34	22 0.87	22 0.87	20 0.79	12 0.47	-	4 0.16	12 0.47	21 0.83
165	112 4.41	104 4.09	54 2.13	39 1.54	41 1.61	41 1.61	13.5 0.53	19 0.75	5 0.20	15 0.59	38 1.50
340	173 6.81	162 6.38	85 3.35	68 2.68	59 2.32	55 2.17	19 0.75	25 0.98	5 0.20	18 0.71	66 2.60

**Specification**

**3**

- Toggle clamp  
Case-hardened steel C10  
Zinc plated, blue passivated finish —
- Stainless steel **NI**  
- Parts in sheet metal  
AISI 304  
- Bearing pins and rivets  
AISI 303
- All moving parts lubricated with special grease
- Hand grip  
High quality, oil resistant red plastic
- *Stainless Steel Characteristics* → page 2143
- *RoHS compliant*

**Accessory**

- Spindle assemblies → starting from page 856

**Information**

GN 843.1 push-pull type toggle clamps can be mounted on a mounting bracket (Type ASW) or directly on the jig via the threaded body with hex nut (Type AS).

The center bushing securing method allows the operating handle to be turned to the most favorable position.

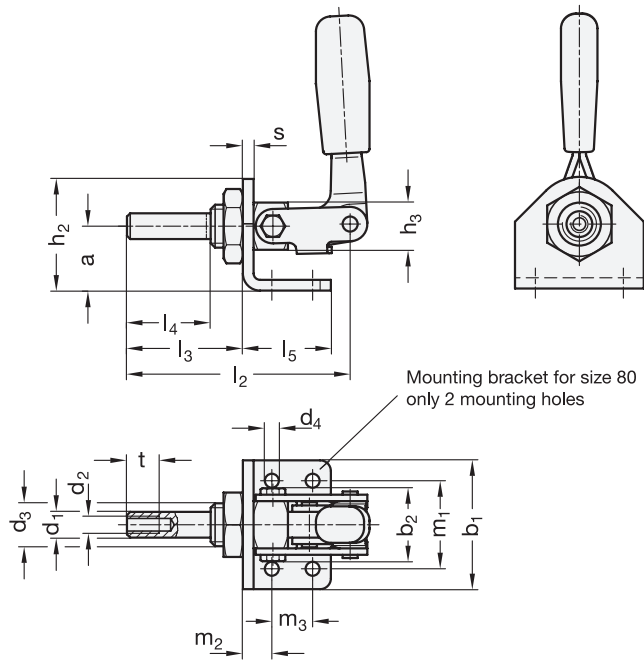
GN 843.1 toggle clamps replace series GN 843.

see also...

- *General Information on Toggle Clamps* → page 756

How to order (Steel)	<b>1</b> Size
<b>GN 843.1-80-ASW</b>	<b>2</b> Type

How to order (Stainless steel)	<b>1</b> Size
<b>GN 843.1-165-ASW-NI</b>	<b>2</b> Type
	<b>3</b> Material



1.1  
1.2  
1.3  
1.4  
2.1  
2.2  
2.3  
2.4

