

- 2** Type
- ASD** Clamping by turning handle counter-clockwise
 - ASS** Clamping by turning handle clockwise

Metric table

Dimensions in: millimeters - inches

Size	F _H Holding capacity	a	b	d ₁	d ₂	d ₃	d ₄	h ₁ ≈	h ₂
50	800 N 180 lbf	10 0.39	17.5 0.69	6.5 0.26	M 4	12 0.47	4.3 0.17	45.2 1.78	30.5 1.20

Size	l ₁ ≈	l ₂ ≈	l ₃ ≈	l ₄ ≈	m ₁	m ₂	m ₃	t min.	w Stroke
50	73 2.87	64.5 2.54	33 1.30	21 0.83	16 0.63	16 0.63	8 0.31	9 0.35	16 0.63

Specification

- Parts in sheet metal
Case-hardened steel C10
Zinc plated, blue passivated finish
- Plunger
Steel St 37
Zinc plated, blue passivated finish
- Plunger guide bushing
Steel St 37
Zinc plated, blue passivated finish
- All moving parts lubricated with special grease
- Hand grip
High quality, oil resistant red plastic
- **RoHS compliant**

Accessory

- Spindle assemblies → starting from page 857

Information

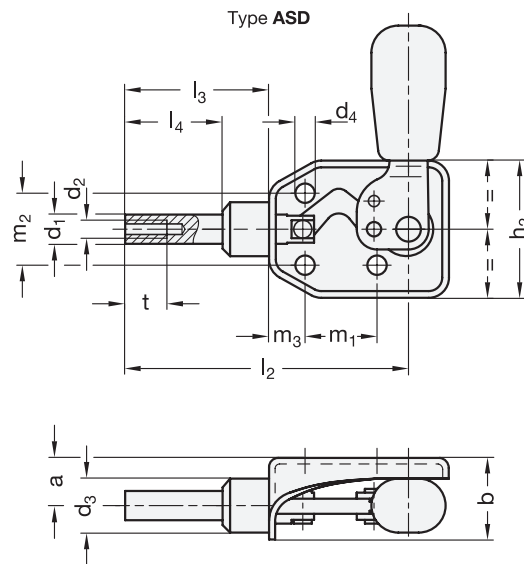
GN 840 push-pull type toggle clamps are known for their extremely low height regardless of the position of the operating handle.

In these devices the circular movement of the handle is transformed into a straight-line action of the clamp along its axis.

see also...

- *General Information on Toggle Clamps* → page 756

How to order GN840-50-ASD	1 Size
	2 Type



Type ASS is mirror image of type ASD

1.1
1.2
1.3
1.4
2.1
2.2
2.3
2.4

