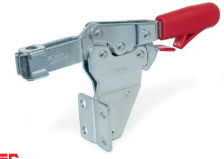


Metric



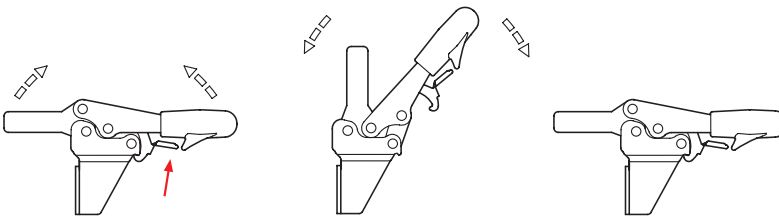
SS Stainless Steel

2 Type

MFL U-bar version, with two flanged washers

MFLC U-bar version, with two flanged washers and GN 708.1 spindle assembly

Operating principle



Metric table

Dimensions in: millimeters / inches

Size	F _H Clamping force	a ≈	b ₁	b ₂	b ₃	d ₁	d ₂	h ₁	h ₂	h ₃	h ₄
75 2.95	900 N 202 lbf	20 0.79	30 1.18	25.5 1.00	5.3 0.21	M 5	4.5 0.18	62 2.44	39 1.54	11 0.43	19 0.75
130 5.12	1000 N 225 lbf	32 1.26	39 1.54	35 1.38	6.5 0.26	M 6	5.5 0.22	85 3.35	57.5 2.26	16 0.63	25.5 1.00
230 9.06	1700 N 382 lbf	37 1.46	43 1.69	40 1.57	8.5 0.33	M 8	6.5 0.26	102 4.02	69 2.72	18 0.71	30 1.18

Size	h ₅ max.	l ₁	l ₂	l ₃	m ₁	m ₂	m ₃	r	s	w Adjustable range
75 2.95	30 1.18	118 4.65	30 1.18	45 1.77	18 0.71	13.5 0.53	6 0.24	42.5 1.67	2 0.08	17 0.67
130 5.12	47.5 1.87	170 6.69	45 1.77	55 2.17	26 1.02	22 0.87	6.5 0.26	61 2.40	2.5 0.10	17.5 0.69
230 9.06	53 2.09	196 7.72	52 2.05	68 2.68	28.5 1.12	24 0.94	8 0.31	70 2.76	3 0.12	20 0.79

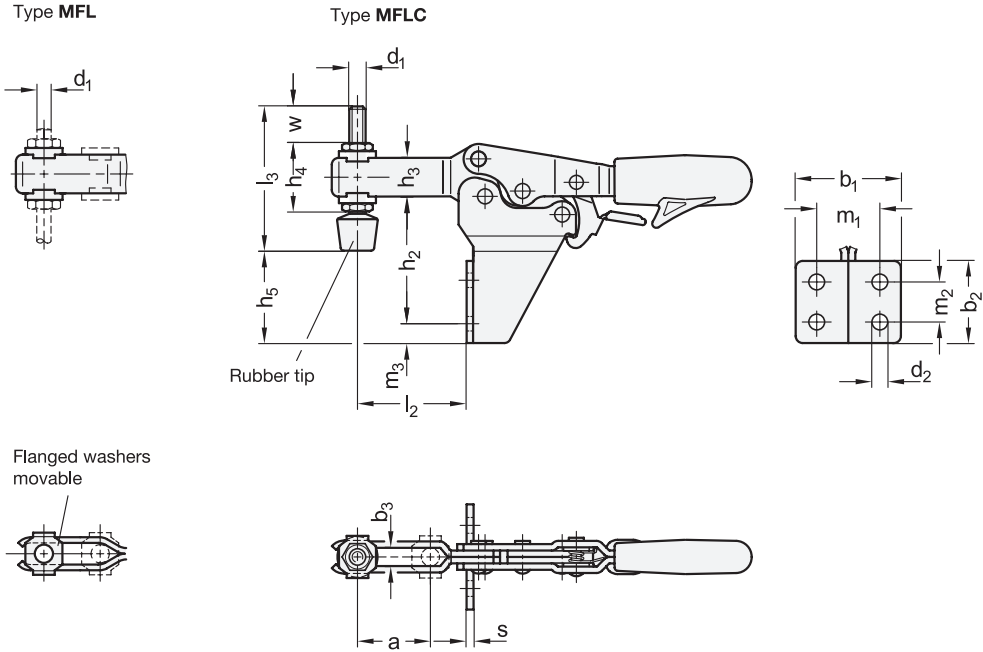
How to order

1 Size
2 Type
3 Material

GN 820.5-230-MFLC-NI

1.1
1.2
1.3
1.4
2.1
2.2
2.3
2.4





Specification



Tensioning mechanism

- Steel **ST**
 - Sheet metal parts
 - Case hardening steel C10, zinc plated, blue passivated finish
 - Bearing bolt tempered
- Stainless steel AISI 304 **NI**
- Moving parts lubricated with special grease

Handle

Plastic
Red, oil resistant

Flanged washers GN 898

- Steel
- Zinc plated, blue passivated finish for ST
- Stainless steel AISI 304 for NI

Spindle assembly GN 708.1 for type MFLC

- Steel, zinc plated, blue passivated finish for ST
- Stainless steel AISI 304 for NI
- Thrust pad
- Chloroprene rubber (CR)
 - Hardness 85 Shore A ≈
 - Vulcanized
 - Black
 - Type A (flat pressure area)

RoHS

Horizontal acting toggle clamps GN 820.5 are securely locked while in the clamped position to prevent release by accident or due to vibrations. To release the clamp, the safety hook is disengaged with a single-handed operation.

Clamping is based on the toggle lever principle, with the clamping lever and clamping arm moving in opposite directions. The mounting surface, rotated by 90°, allows for compact installation next to the clamping point. The low overall height in the clamped position is another distinguishing feature of these clamps.

Horizontal acting toggle clamps in the u-bar version (type MFL) accommodate an application-specific screw via two flanged washers. A spindle assembly with rubber thrust pad is additionally included with type MFLC.

see also...

Page

GN 820 Horizontal Acting Toggle Clamps (with Horizontal Base, without Safety Hook)	QVX
GN 820.1 Horizontal Acting Toggle Clamps (with Vertical Base, without Safety Hook)	QVX
GN 820.2 Horizontal Acting Toggle Clamps (with Side Mounting, without Safety Hook)	QVX

Technical Information

Operating Principle Toggle Lever / Overview Toggle Clamp Types	QVX
Stainless Steel Characteristics	QVX

Accessory

GN 801 Clamp Mounts (for Type MFL)	QVX
GN 801.1 Clamping Arm Extenders (for Type MFL)	QVX
GN 801.2 Clamping Arm Extenders (for Type MFL)	QVX