

SS Stainless Steel

2 Type

- M** U-bar version, with two flanged washers
- MC** U-bar version, with two flanged washers and GN 708.1 spindle assembly
- O** Solid bar version, with weldable clasp

Specification

- Toggle clamp
- Case-hardened steel C10 —
- Zinc plated, blue passivated finish
- Tempered bearing pins
- Case-hardened bearing rivets (for size 355 and up)
- Stainless steel AISI 304 **NI**
- All moving parts lubricated with special grease
- Hand grip
- High quality, oil resistant red plastic
- Spindle assembly GN 708.1, Type A → page 858
- Steel, zinc plated, blue passivated finish / Stainless steel AISI 304
- Rubber tip 85 shore A
- *Stainless Steel Characteristics* → page 2143
- **RoHS compliant**

Information

GN 820 horizontal acting toggle clamps work according to the toggle principle: lever and clamping bar move in the opposite direction.

They require less space for the clamping action. In the clamped position the operating lever is in its horizontal position.

Horizontal acting toggle clamps in the U-bar version with two flanged washers (Type M) can accommodate an application specific clamping screw. A spindle assembly with neoprene rubber tip is also included for Type MC.

Type O version can either be utilized by welding the clasp which can then accommodate an application specific hold-down fastener component.

see also...

- *General Information on Toggle Clamps* → page 756
- *Horizontal Acting Toggle Clamps GN 820.1 (with Vertical Mounting Base)* → page 776
- *Horizontal Acting Toggle Clamps GN 820.2 (for Lateral Mounting)* → page 786

Accessory

- Spindle assemblies → starting from page 856
- Clamp mounts GN 801 (for type M) → www.jwwinco.com
- Clamping arm extenders GN 801.1 (for type M) → page 860
- Clamping arm extenders GN 801.2 (for type M) → page 861
- Clamping arm extenders GN 809.1 (for type O) → page 862

How to order (Steel) GN820-355-M	1	Size
	2	Type

How to order (Stainless steel) GN820-75-M-NI	1	Size
	2	Type
	3	Material

Universal table

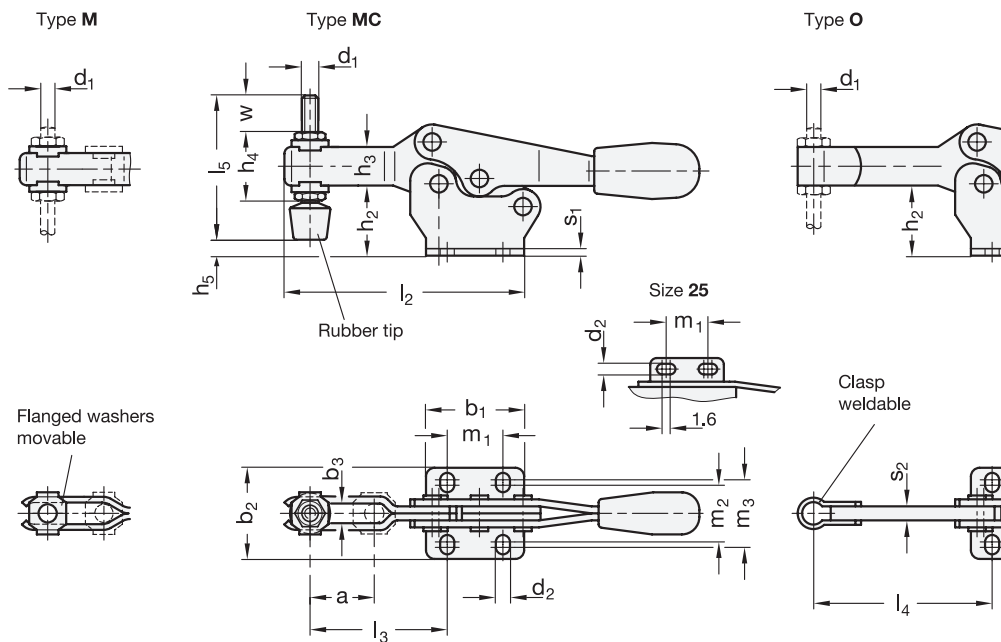


Dimensions in: millimeters - inches

Size		F _H	a ≈	b ₁	b ₂	b ₃	d ₁	d ₂	h ₁ ≈	h ₂	h ₃	h ₄	h ₅ max.
Steel	Stainless steel	Holding capacity											
25*	25*	400 N 89.92 lbf	10 0.39	24 0.94	24.5 0.96	4.3 0.17	M 4	4.3 0.17	23 0.91	12 0.47	7 0.28	13.5 0.53	3 0.12
75	75	900 N 202 lbf	20 0.79	28 1.10	26 1.02	5.5 0.22	M 5	4.5 0.18	37 1.46	20 0.79	11 0.43	19 0.75	5 0.20
130	130	1000 N 225 lbf	32 1.26	36 1.42	40 1.57	6.5 0.26	M 6	5.5 0.22	51 2.01	30.5 1.20	16 0.63	25.5 1.00	14 0.55
230	230	1700 N 382 lbf	37 1.46	44 1.73	42 1.65	8.5 0.33	M 8	6.5 0.26	61.5 2.42	36.5 1.44	18 0.71	30 1.18	12.5 0.49
355	-	1800 N 405 lbf	58 2.28	60 2.36	56 2.20	10.4 0.41	M 10	8.5 0.33	83 3.27	50 1.97	22 0.87	37 1.46	23.5 0.93
455	-	3200 N 719 lbf	65 2.56	70 2.76	65 2.56	12.4 0.49	M 12	8.5 0.33	98.5 3.88	60 2.36	26 1.02	43 1.69	27.5 1.08

Size		l ₁ ≈	l ₂ ≈	l ₃ ≈	l ₄ max.	l ₅	m ₁	m ₂	m ₃	r	s ₁	s ₂	w
Steel	Stainless steel												Adjustable range
25*	25*	69 2.72	43 1.69	20 0.79	-	23 0.91	15 0.59	16 0.63	16 0.63	24.5 0.96	1.2 0.05	-	4 0.16
75	75	118 4.65	67 2.64	40 1.57	49.5 1.95	45 1.77	13.5 0.53	16 0.63	19 0.75	43 1.69	2 0.08	4 0.16	15 0.59
130	130	168 6.61	92 3.62	53 2.09	64 2.52	55 2.17	26 1.02	22.4 0.88	28.4 1.12	62 2.44	2.5 0.10	5 0.20	17.5 0.69
230	230	196 7.72	110 4.33	63.5 2.50	78 3.07	68 2.68	26 1.02	26 1.02	31.5 1.24	72 2.83	3 0.12	6 0.24	20 0.79
355	-	270 10.63	161 6.34	96 3.78	115 4.53	77 3.03	41 1.61	38.8 1.53	43 1.69	108.5 4.27	3.5 0.14	7 0.28	19 0.75
455	-	309 12.17	186 7.32	116 4.57	135 5.31	100 3.94	41.5 1.63	40 1.57	43 1.69	126 4.96	4 0.16	10 0.39	33 1.30

* Size 25 only available as Type M and Type MC



1.1
1.2
1.3
1.4
2.1
2.2
2.3
2.4

