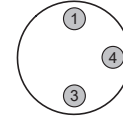
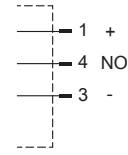
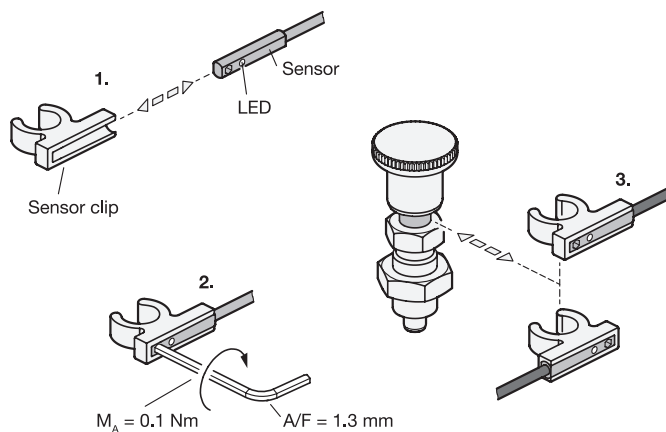


| Electrical properties of the sensor | |
|---|---|
| Output function | Normally open (NO) |
| Switch output | PNP |
| Supply voltage | 10 - 30 V DC |
| Continuous current I_a | ≤ 100 mA |
| Connection type Plug (S) | 3-pole plug M8x1, freely rotating with knurled screw connection, with PUR cable 0.5 m |
| Protection class | IP 67 |
| Switching frequency | 1,000 Hz |
| Power consumption | ≤ 8 mA |
| Voltage drop | ≤ 2.5 V |
| Protection class | III |
| Response sensitivity | 2.8 mT |
| Temperature range | -13 °F to +167 °F (-25 °C to +75 °C) |
| Shock and vibration resistance | 30 g, 11 ms / 10 - 55 Hz, 1 mm |
| EMC | According to EN 60947-5-2 |
| Reverse polarity protection | Yes |
| Short-circuit protection | Yes |
| Activation impulse suppression | Yes |
| Approvals, conformities CE declaration | CE |



Assembly instruction



The position of the sensor cable can be freely determined when installing the sensor clip.

Installation steps:

1. Insert the sensor into the sensor clip from the side.
2. Tighten the hexagon socket screw of the sensor.
3. Clip the sensor clip into the ring slot of the indexing plunger in any orientation and then adjust the direction by turning, if necessary.

