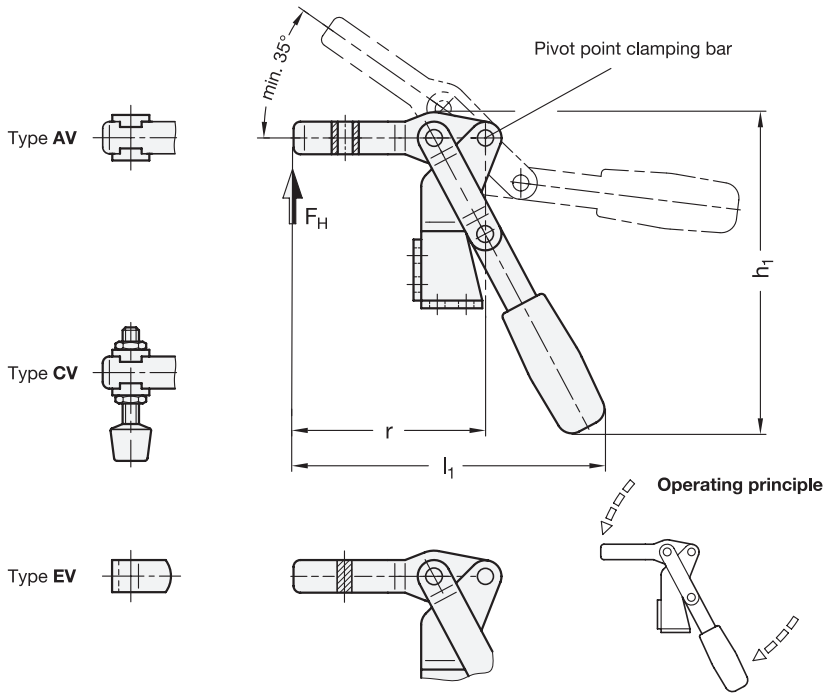


# GN 812 Vertical Acting Toggle Clamps

Steel, with Dual Flanged Mounting Base



## 2 Type

- AV** U-bar version, with two flanged washers
- CV** U-bar version, with two flanged washers and GN 708.1 spindle assembly
- EV** Solid bar version, with weldable clasp

## Specification

- Toggle clamp
  - Case-hardened steel C10
  - Zinc plated, blue passivated finish
  - Tempered bearing pins
  - Case-hardened bearing rivets
- All moving parts lubricated with special grease
- Hand grip
  - High quality, oil resistant red plastic
- Spindle assembly GN 708.1, Type A → page QVX
  - Steel, zinc plated, blue passivated finish
  - Rubber tip 85 shore A
- [RoHS compliant](#)

## Accessory

- Spindle assemblies → starting from page QVX
- Clamp mounts GN 801 (for Type AV) → page QVX

## Information

GN 812 vertical acting toggle clamps work according to the toggle principle: lever and clamping bar move in the same direction. They can be mounted in two planes via the dual flanged mounting base and require less space for the clamping action because the clamping arm and the operating lever move in opposite directions.

Vertical acting toggle clamps in the U-bar version with two flanged washers (Type AV) can accommodate an application specific clamping screw. A spindle assembly with neoprene rubber tip is also included for Type CV.

Toggle clamps in the type EV version can either be utilized by welding the clasp which can then accommodate an application specific hold-down fastener component.

see also...

- [General Information on Toggle Clamps](#) → page QVX

How to order

**GN812-300-EV**

1 Size

2 Type

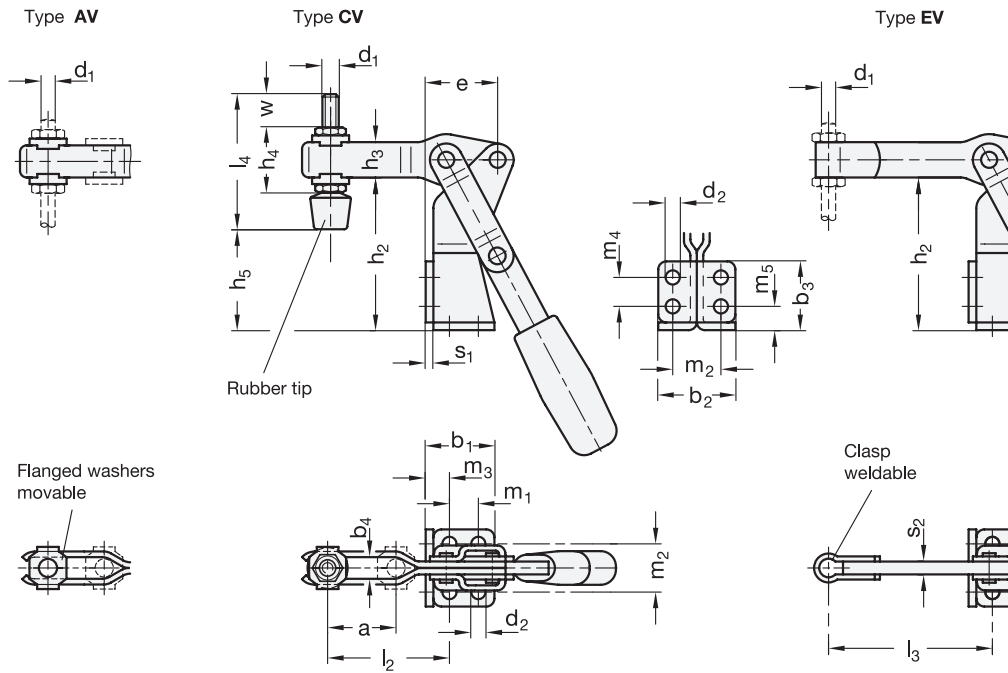
**Metric table**



Dimensions in: millimeters - inches

Size	F <sub>H</sub> Holding capacity	a ≈	b <sub>1</sub>	b <sub>2</sub>	b <sub>3</sub>	b <sub>4</sub>	d <sub>1</sub>	d <sub>2</sub>	e	h <sub>1</sub> ≈	h <sub>2</sub>	h <sub>3</sub>	h <sub>4</sub>	h <sub>5</sub> max.
200	1200 N 270 lbf	34 1.34	35 1.38	38 1.50	35 1.38	8.5 .33	M 8	6.5 .26	37 1.46	154 6.06	76 2.99	17 .67	29 1.14	52 2.05
300	1900 N 427 lbf	42 1.65	48 1.89	48 1.89	51 2.01	10.4 .41	M 10	8.5 .33	46 1.81	198 7.80	108 4.25	20 .79	35 1.38	79.5 3.13

Size	l <sub>1</sub> ≈	l <sub>2</sub> ≈	l <sub>3</sub> max.	l <sub>4</sub>	m <sub>1</sub>	m <sub>2</sub>	m <sub>3</sub>	m <sub>4</sub>	m <sub>5</sub>	r ≈	s <sub>1</sub>	s <sub>2</sub>	w Adjustable range
200	158 6.22	59 2.32	76 2.99	68 2.68	16 .63	26 1.02	11 .43	16 .63	11 .43	96 3.78	3 .12	6 .24	21 .83
300	194 7.64	74 2.91	95 3.74	77 3.03	28 1.10	30 1.18	11.5 .45	30 1.18	12 .47	122 4.80	3 .12	8 .31	21 .83



1.1  
1.2  
1.3  
1.4  
2.1  
2.2  
2.3  
2.4

