

**SS** Stainless Steel

**2** Type

- B** U-bar version, with two flanged washers
- BC** U-bar version, with two flanged washers and GN 708.1 spindle assembly
- F** Solid bar version, with weldable clasp

**Specification**

- Toggle clamp  
Case-hardened steel C10 —
- Zinc plated, blue passivated finish
- Tempered bearing pins
- Case-hardened bearing rivets (for size 230 and up)
- Stainless steel AISI 304 **NI**
- All moving parts  
Lubricated with special grease
- Hand grip  
High quality, oil resistant red plastic
- Spindle assembly GN 708.1, Type A → page 858
  - Steel, zinc plated, blue passivated finish / Stainless steel AISI 304
  - Rubber tip 85 shore A
- *Stainless Steel Characteristics* → page 2143
- **RoHS compliant**

**Information**

GN 810.1 vertical acting toggle clamps work according to the toggle principle: lever and clamping bar move in the same direction. In the clamped position the operating lever is in its vertical position.

Vertical acting toggle clamps in the U-bar version with two flanged washers (Type B) can accommodate an application specific clamping screw. A spindle assembly with neoprene rubber tip is also included for Type BC.

Type F version can either be utilized by welding the clasp which can then accommodate an application specific hold-down fastener component.

see also...

- *General Information on Toggle Clamps* → page 756
- *Vertical Acting Toggle Clamps GN 810.11 (with Vertical Mounting Base)* → page 772
- *Vertical Acting Toggle Clamps GN 810 (with Horizontal Mounting Base)* → page 758

**Accessory**

- Spindle assemblies → starting from page 856
- Clamp mounts GN 801 (for type B) → [www.jwwinco.com](http://www.jwwinco.com)
- Clamping arm extenders GN 801.1 (for type B) → page 860
- Clamping arm extenders GN 801.2 (for type B) → page 861
- Clamping arm extenders GN 809.1 (for type F) → page 862

<b>How to order (Steel)</b> <b>GN810.1-430-B</b>	<b>1</b> Size
	<b>2</b> Type

<b>How to order (Stainless steel)</b> <b>GN810.1-75-F-NI</b>	<b>1</b> Size
	<b>2</b> Type
	<b>3</b> Material

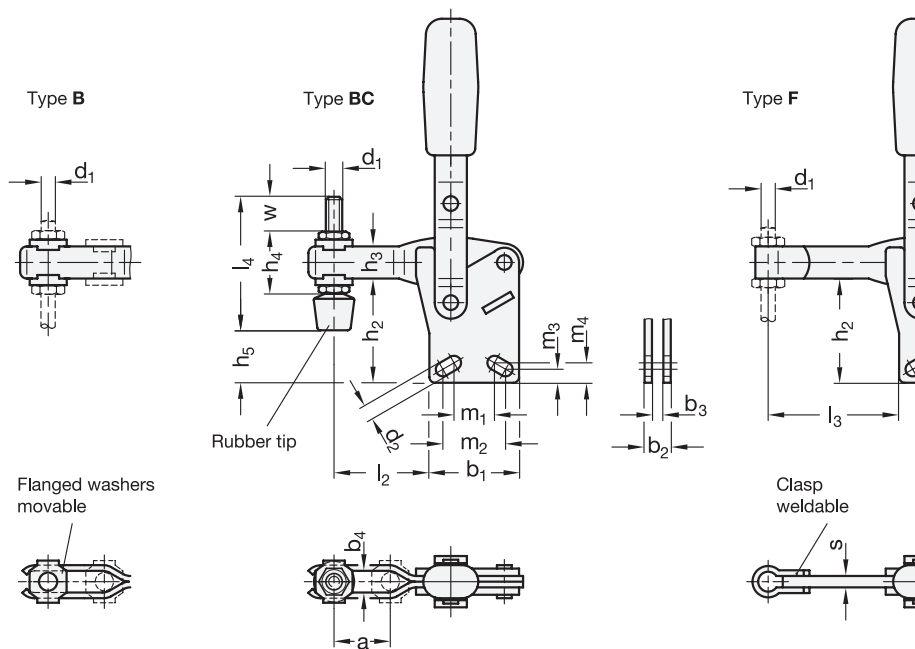
**Universal table**



Dimensions in: millimeters - inches

Size	Steel	Stainless steel	F <sub>H</sub> Holding capacity	a ≈	b <sub>1</sub>	b <sub>2</sub>	b <sub>3</sub>	b <sub>4</sub>	d <sub>1</sub>	d <sub>2</sub> ≈	h <sub>1</sub> ≈	h <sub>2</sub>	h <sub>3</sub>	h <sub>4</sub>	h <sub>5</sub> max.
75	75	75	750 N 169 lbf	20 0.79	29 1.14	8 0.31	4 0.16	5.2 0.20	M 5	4.5 0.18	109 4.29	32 1.26	11 0.43	19 0.75	17 0.67
130	130	130	1050 N 236 lbf	28 1.10	35 1.38	10 0.39	5 0.20	6.2 0.24	M 6	5.5 0.22	156 6.14	41.5 1.63	16 0.63	25.5 1.00	25 0.98
230	230	230	2000 N 450 lbf	40 1.57	43 1.69	12 0.47	6 0.24	8.5 0.33	M 8	6.5 0.26	183 7.20	48 1.89	18 0.71	30 1.18	24 0.94
330	-	-	2400 N 540 lbf	43 1.69	50 1.97	14 0.55	7 0.28	10.5 0.41	M 10	8.5 0.33	218 8.58	66 2.60	22 0.87	37 1.46	39.5 1.56
430	-	-	2800 N 629 lbf	64 2.52	58 2.28	18 0.71	10 0.39	12.5 0.49	M 12	8.5 0.33	268 10.55	77.5 3.05	26 1.02	43 1.69	45 1.77
530	-	-	4500 N 1012 lbf	90 3.54	77 3.03	18 0.71	10 0.39	12.5 0.49	M 12	12.5 0.49	337 13.27	117.5 4.63	32 1.26	49 1.93	85 3.35

Size	Steel	Stainless steel	l <sub>1</sub> ≈ Type B Type BC	Type F	l <sub>2</sub> ≈	l <sub>3</sub> max.	l <sub>4</sub>	m <sub>1</sub>	m <sub>2</sub>	m <sub>3</sub>	m <sub>4</sub>	r ≈	s	w Adjustable range
75	75	75	66.5 2.62	67 2.64	31.5 1.24	41 1.61	45 1.77	15 0.59	16 0.63	5 0.20	5 0.20	62.5 2.46	4 0.16	15 0.59
130	130	130	85 3.35	86 3.39	42 1.65	54 2.13	55 2.17	12.5 0.49	19 0.75	6.5 0.26	7.5 0.30	79 3.11	5 0.20	17.5 0.69
230	230	230	110.5 4.35	112 4.41	58 2.28	73 2.87	68 2.68	19 0.75	20 0.79	6.5 0.26	6.5 0.26	104 4.09	6 0.24	20 0.79
330	-	-	129 5.08	130.5 5.14	66 2.60	86 3.39	77 3.03	28.7 1.13	32.3 1.27	10 0.39	9.5 0.37	122 4.80	7 0.28	19 0.75
430	-	-	164 6.46	166 6.54	88 3.46	114 4.49	100 3.94	32 1.26	32 1.26	10 0.39	10 0.39	156 6.14	10 0.39	33 1.30
530	-	-	223 8.78	225 8.86	128 5.04	155 6.10	100 3.94	50 1.97	51 2.01	12.5 0.49	12.5 0.49	212 8.35	10 0.39	27 1.06



1.1  
1.2  
1.3  
1.4  
2.1  
2.2  
2.3  
2.4

