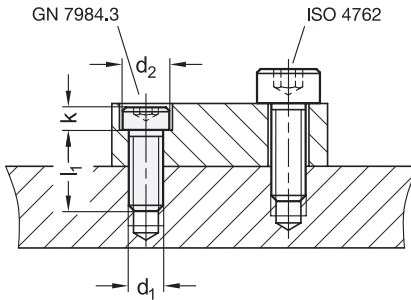


Metric



Assembly examples / Comparison



Metric table

d <sub>1</sub>	l <sub>1</sub>							l <sub>2</sub>	d <sub>2</sub> ±0.1	k	A/F	Max. tightening torque in Nm
	Without shaft											
M 3	6 0.24	8 0.31	10 0.39	12 0.47	-	-	-	-	4.5 0.177	2 0.08	2	1.4
M 4	6 0.24	8 0.31	10 0.39	12 0.47	16 0.63	20 0.79	25 0.98	-	5.5 0.217	2.8 0.11	2.5	3.4
M 5	8 0.31	10 0.39	12 0.47	16 0.63	20 0.79	25 0.98	-	-	7 0.276	3 0.12	3	6
M 6	8 0.31	10 0.39	12 0.47	16 0.63	20 0.79	25 0.98	-	30 1.18	18 0.71	3.5 0.14	4	10
M 8	10 0.39	12 0.47	16 0.63	20 0.79	25 0.98	30 1.18	-	35 1.38	22 0.87	4.5 0.18	5	27
M 10	16 0.63	20 0.79	25 0.98	30 1.18	35 1.38	40 1.57	-	-	13.5 0.531	5.5 0.22	6	46

Dimensions in: millimeters / inches

Specification

Steel

Blackened finish

RoHS



BT

Socket cap screws GN 7984.3 have a low head height and a reduced head diameter compared with socket cap screws ISO 4762.

As a result, these screws can be countersunk in places where this is not possible with regular socket cap screws due to the space available, e.g. where the edge distance or countersink depth is small.

Due to their head geometry, screws according to this specification have a reduced load capacity as per ISO 898-1.

see also...

GN 912.3 Socket Cap Screws (with Reduced Head Diameter) QVX

GN 14580.5 Socket Cap Screws (with Low-Profile Head) QVX

Technical Information

Strength Values of Screws

QVX

How to order

GN 7984.3-M10-20-BT

- 1 Thread d<sub>1</sub>
- 2 Length l<sub>1</sub>
- 3 Finish

3.1  
3.2  
3.3  
3.4  
3.5  
3.6  
3.7  
3.8  
3.9  
3.10