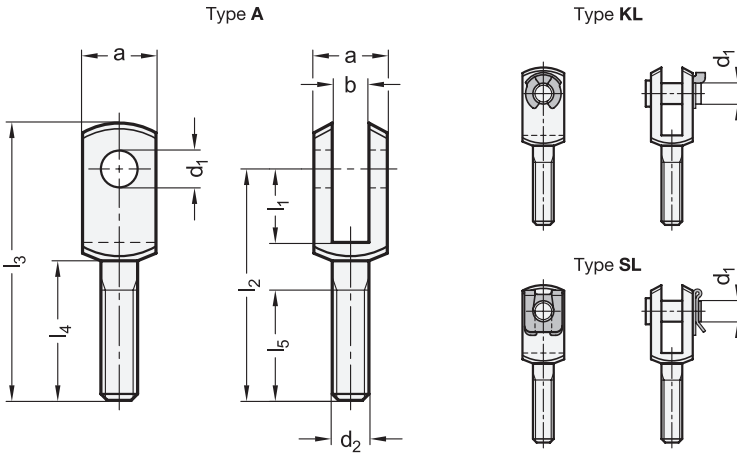


Metric



4 Type

- A** Without pin
- KL** Pin with KL retaining clip
- SL** Pin with SL retaining clip

Metric table

Dimensions in: millimeters / inches

1 d ₁ H9/h11	2 l ₁	3 d ₂	a	b	l ₂	l ₃	l ₄	l ₅ min.
6 0.24	12 0.47	M 6	12 0.47	6 0.24	37 1.46	44 1.73	20 0.79	15 0.59
8 0.31	16 0.63	M 8	16 0.63	8 0.31	47 1.85	57 2.24	25 0.98	20 0.79
10 0.39	20 0.79	M 10	20 0.79	10 0.39	57 2.24	69 2.72	30 1.18	25 0.98
12 0.47	24 0.94	M 12	24 0.94	12 0.47	68 2.68	82 3.23	35 1.38	30 1.18
14 0.55	28 1.10	M 14	27 1.06	14 0.55	78 3.07	94 3.70	40 1.57	35 1.38
16 0.63	32 1.26	M 16	32 1.26	16 0.63	89 3.50	108 4.25	45 1.77	40 1.57

Specification

Fork head

Steel
Zinc plated, blue passivated finish

ST

Pin for type KL / SL

Steel
Zinc plated, blue passivated finish

Retaining clip for type KL / SL

Spring steel
• Hardened and tempered
• Zinc plated, blue passivated finish

RoHS

On request

• Stainless steel

Clevis fork heads GN 754 transmit tensile and shearing forces, such as from rods, levers or cable pulls. The length of the external thread enables a significantly larger adjusting range than clevis fork heads with internal thread. The versions with pins can be combined with brackets or joint pieces GN 752 to create clevis fork joints, which can be quickly and easily assembled and disassembled without tools, especially with type KL. Clevis fork heads GN 754 are dimensioned according to DIN 71752.

see also...

GN 751 | DIN 71752 Clevis Fork Joints / Heads (with Internal Thread) **Page** QVX

Technical Information

ISO Fundamental Tolerances **Page** QVX

Accessory

GN 752 Joint Ends **Page** QVX

How to order

1	Bore d ₁
2	Length l ₁
3	Thread d ₂
4	Type
5	Material

GN 754-10-20-M10-SL-ST

3.1
3.2
3.3
3.4
3.5
3.6
3.7
3.8
3.9
3.10