

- Metric**
- 3 Type**
ZL Cylindrical
KV Convex
- 4 Identification no.**
1 With bore
2 Stud with external thread
3 Stud with internal thread

Metric table

Dimensions in: millimeters - inches

1 $d_1 -0.2$	2 $d_2 -0.02$ Bore Id no. 1	2 d_3 Thread Id no. 2	2 d_4 Thread Id no. 3	$b_1 -0.2$	b_2	d_5	d_6	l_1	l_2	l_3	r	A/F	t min.	Load capacity radial dynamic
22 0.866	B 5	M 5	M 4	7 0.276	5 0.20	8.5 0.33	9 0.35	1 0.04	7.5 0.30	9 0.35	55 2.17	T10	7 0.28	400 N 89.92 lbf
25 0.984	B 6	M 5	M 4	8 0.315	6 0.24	10.5 0.41	10 0.39	1 0.04	7.5 0.30	9 0.35	65 2.56	T15	8 0.31	600 N 135 lbf
30 1.181	B 8	M 6	M 5	10 0.394	7 0.28	12 0.47	12 0.47	1.5 0.06	9 0.35	9 0.35	75 2.95	T25	10 0.39	800 N 180 lbf
35 1.378	B 10	M 8	M 6	10 0.394	8 0.31	14 0.55	14 0.55	1.5 0.06	12 0.47	12 0.47	90 3.54	T30	12 0.47	1000 N 225 lbf
42 1.654	B 10	M 8	M 6	12 0.472	9 0.35	17 0.67	14 0.55	1.5 0.06	12 0.47	12 0.47	105 4.13	T30	12 0.47	1200 N 270 lbf
50 1.969	B 10	M 8	M 6	14 0.551	11 0.43	19 0.75	14 0.55	1.5 0.06	12 0.47	12 0.47	125 4.92	T30	12 0.47	1500 N 337 lbf

Specification

- Outer race
Plastic (Polyacetal POM)
Operating temperature:
-4 °F to 212 °F (-20 °C to 100 °C)
- Ball bearing
- Steel, 100Cr6, hardened
- Covered (cover discs 2Z)
- Stud
Steel, zinc plated
- Plastic Characteristics → page QVX
- RoHS compliant

Accessory

- Mounting accessories GN 753.2 → page XYZ

Information

Guide rollers GN 753.1 can be used as guides, bearings or supports for small to medium loads. They can also be used to create custom linear guide rail systems.

The radial load capacity rating given in the table should be understood as a guide value at which the guide rollers achieve a lifetime performance of at least 656,167 ft (200,000 m). The conditions for achieving this lifetime performance are a speed of 1.3 ft/s (0.4 m/s), a clean, dry, level, smooth and hard surface to roll against and an operating temperature between 59 °F and 86 °F (15 °C and 30 °C). In general, the guide rollers should not be used under axial load.

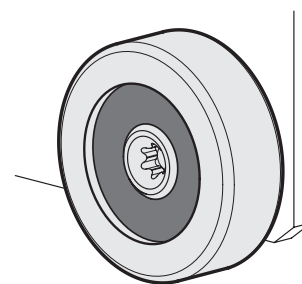
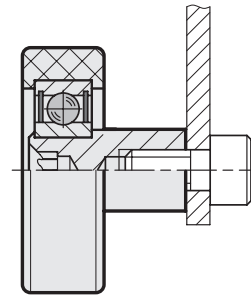
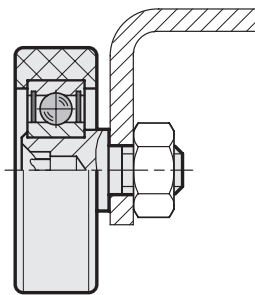
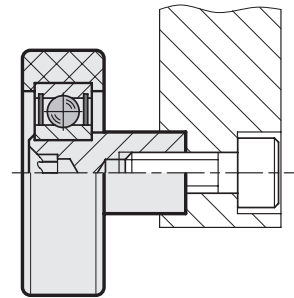
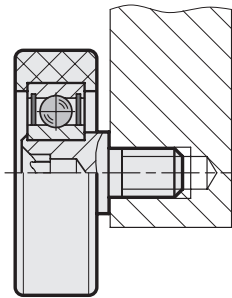
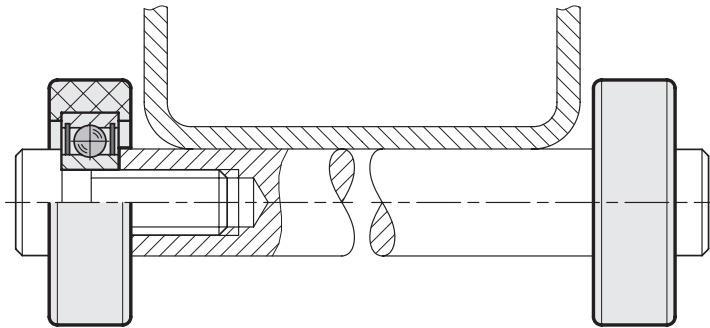
see also...

- Guide Rollers GN 753 → page QVX
- Cam Rollers GN 2426 → page QVX

How to order	
1 Diameter d_1	
2 Thread d_3 (Bore d_2 , Thread d_4)	
3 Type	
4 Identification no.	

GN 753.1-22-M5-ZL-2

Application examples



3.1

3.2

3.3

3.4

3.5

3.6

3.7

3.8

3.9

3.10

