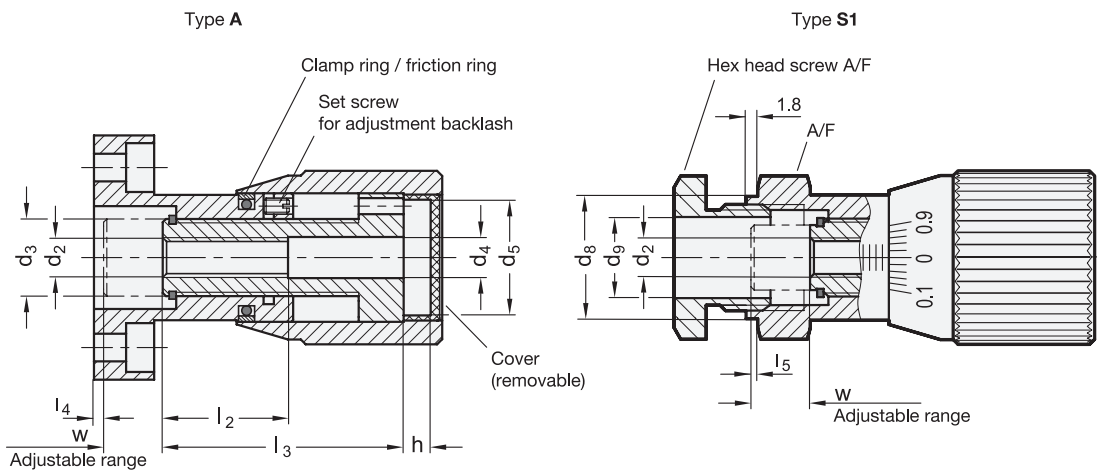




Control knobs with adjustable spindle GN 727 - Complementary dimensions with technical details



1.1  
1.2  
1.3  
1.4  
2.1  
2.2  
2.3  
2.4

