

Metric



**SS** Stainless Steel

**3 Type**

- L Left indexing cam
- R Right indexing cam

**4 Identification no. chamfered pin**

- 1 Chamfer, top
- 2 Chamfer, bottom
- 3 Chamfer, right
- 4 Chamfer, left

**6 Identification no. catch**

- 1 Without catch
- 2 With catch

Metric table

**1** **2**

Dimensions in: millimeters / inches

b <sub>1</sub>	s	a	h <sub>1</sub>	k <sub>1</sub> min.	l <sub>1</sub> ≈	l <sub>2</sub>	l <sub>3</sub>	l <sub>4</sub>	l <sub>5</sub>	l <sub>6</sub>	l <sub>7</sub>	Spring load ≈	
												Initial	End
13 0.51	20 0.79	6.5 0.26	10 0.39	1.5 0.06	54 2.13	10 0.39	35 1.38	1 0.04	37 1.46	48 1.89	26.5 1.04	14 N 3.15 lbf	35 N 7.87 lbf
20 0.79	30 1.18	10 0.39	15 0.59	2 0.08	84 3.31	15 0.59	54 2.13	1.5 0.06	55 2.17	80 3.15	40 1.57	22 N 4.95 lbf	70 N 15.74 lbf

**Specification**

**5**

**Guide / Catch**

- Steel precision casting
- Zinc plated, blue passivated finish **ZB**
- Zinc plated and powder coated Black, RAL 9005, textured finish **SW**
- Stainless steel precision casting AISI CF-8 **NI**

**Latch arm**

- Steel precision casting
- Zinc plated, blue passivated finish (for ZB / SW)
- Stainless steel precision casting AISI CF-8 (for NI)

**Plunger pin**

- Steel, hardened
- Zinc plated, blue passivated finish (for ZB / SW)
- Stainless steel AISI 431, hardened (for NI)

**Compression spring**

Stainless steel AISI 316Ti

RoHS

**Technical Information**

Page

Application Examples QVX

List of Cam Action Indexing Plunger Types QVX

Stainless Steel Characteristics QVX

Cam action indexing plungers GN 724.3 have a plunger pin with square cross-section, a latching surface on one side and a chamfer on the other. When moving in the direction of the chamfered pin, the plunger pin passes over grooves and edges, as the chamfered pin moves the plunger pin into the guide. The plunger pin automatically latches into place when moved toward the latching surface. The latching can be released by pulling the latch arm.

The notch at the upper end of the curve causes the latch to be held in place if the plunger pin needs to be kept temporarily from protruding.

The dimensional tolerances between the pin and the guide have been chosen to ensure functional reliability even in roughly dimensioned applications or in the event of soiling. The latching mechanism is pre-lubricated and can be re-lubricated if necessary.

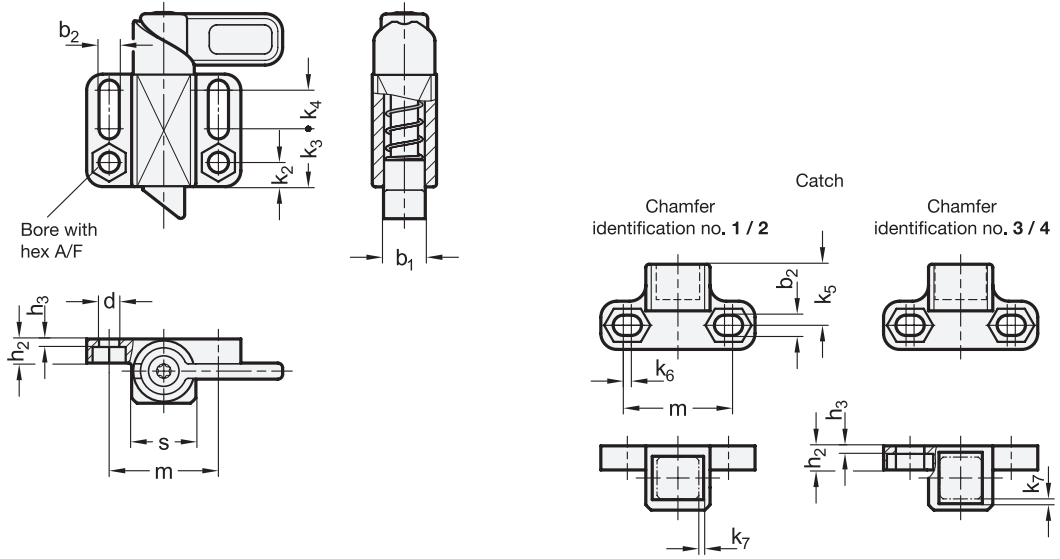
For fastening, slotted or hex mounting holes allow the use of socket cap screws ISO 4762 and hex head screws or nuts according to DIN 931 or DIN 934.

How to order

<b>1</b>	Width b <sub>1</sub>
<b>2</b>	Square s
<b>3</b>	Type
<b>4</b>	Identification no. chamfered pin
<b>5</b>	Material (Finish)
<b>6</b>	Identification no. catch

**GN 724.3-20-30-R 1-NI-2**

3.1  
3.2  
3.3  
3.4  
3.5  
3.6  
3.7  
3.8  
3.9  
3.10



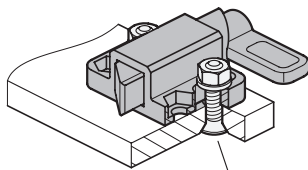
Metric table

1 2

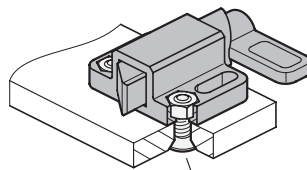
Dimensions in: millimeters / inches

<b>b<sub>1</sub></b>	<b>s</b>	<b>b<sub>2</sub> +0.3</b>	<b>d +0.2</b>	<b>h<sub>2</sub></b>	<b>h<sub>3</sub></b>	<b>k<sub>2</sub></b>	<b>k<sub>3</sub></b>	<b>k<sub>4</sub></b>	<b>k<sub>5</sub></b>	<b>k<sub>6</sub></b>	<b>k<sub>7</sub></b>	<b>m</b>	<b>A/F</b>
13 0.51	20 0.79	6.1 0.24	6.1 0.24	7.5 0.30	1.5 0.06	7.5 0.30	18 0.71	12 0.47	19 0.75	2.5 0.10	1.5 0.06	34 1.34	10
20 0.79	30 1.18	10.1 0.40	10.1 0.40	14 0.55	5 0.20	14 0.55	34 1.34	10 0.39	27.5 1.08	3 0.12	2 0.08	55 2.17	17

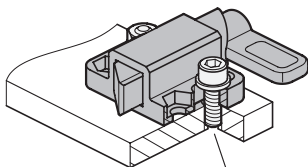
Assembly Examples



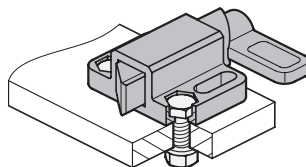
Countersunk screw, washer, nut



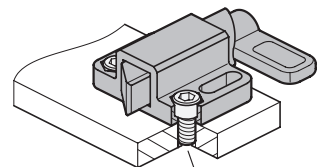
Countersunk screw, nut



Socket cap screw, washer



Hex head screw, nut



Socket cap screw