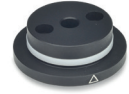
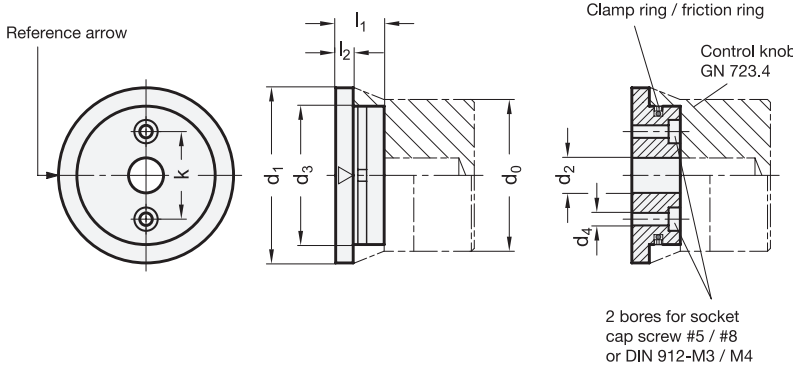


Metric



3 Type

- A** With friction ring
- B** Without friction ring

Metric table

Dimensions in: millimeters / inches

¹ d ₀ Knob Ø GN 723.4	d ₁	d ₂ H8		d ₃ -0.1	d ₄	k	l ₁	l ₂
27 1.06	33.5 1.32	B 6	-	23.3 0.917	3.4 0.13	13 0.51	11.2 0.44	4 0.16
34 1.34	41 1.61	B 6	B 8	29.3 1.154	3.4 0.13	18 0.71	14.2 0.56	5 0.20
42 1.65	50 1.97	B 8	B 10	37.3 1.469	4.5 0.18	24 0.94	16.2 0.64	5 0.20

Specification

Flange

- Aluminum
- Black, anodized finish
- Reference arrow
- White
- Laser engraved

Clamp ring

Rubber

Friction ring

Plastic, Polyamide (PA)

RoHS

Reference flanges GN 723.3 are used together with control knobs GN 723.4, which offer the following advantages:

- They have a reference mark to line up with the control knob scale.
- They give additional support to the control shaft.
- They can be fitted with end stop pins to limit the angular movement of the control knob (the introduction of rest positions with the aid of ball plungers is also possible).
- The version with friction ring prevents unexpected movement due to vibration.

see also...

GN 723.4 Knurled Control Knobs (Aluminum)

Page

QVX

Technical Information

ISO Fundamental Tolerances

QVX

Plastic Characteristics

QVX

How to order

GN 723.3-50-B8-A

- ¹ Outside diameter d₁
- ² Bore d₂
- ³ Type

