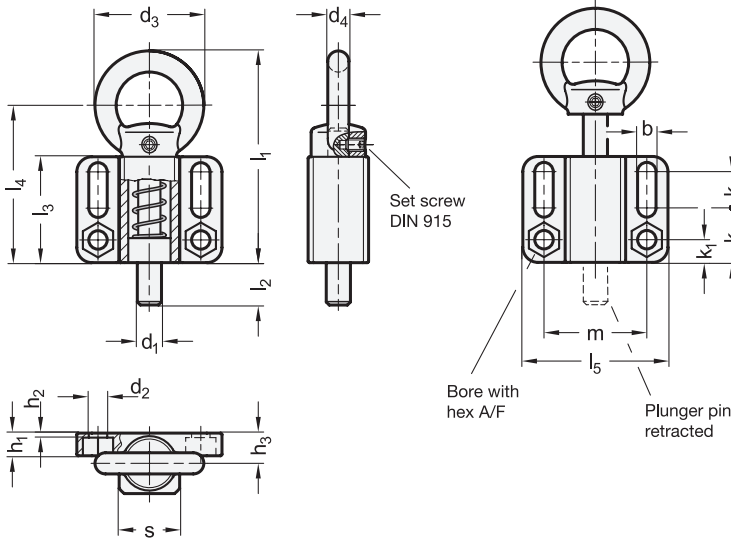


3.1
3.2
3.3
3.4
3.5
3.6
3.7
3.8
3.9
3.10



Metric



3 Type

A With pull ring, non lock-out

Metric table

Dimensions in: millimeters / inches

d ₁	s	b	d ₂	d ₃	d ₄	h ₁	h ₂	h ₃	k ₁	k ₂	k ₃	l ₁ ≈	l ₂	l ₃	l ₄	l ₅	m	A/F	Spring load ≈	
																			Initial	End
8 0.315	20 0.79	6.1 0.240	6.1 0.240	36 1.42	7 0.28	7.5 0.30	1.5 0.06	10 0.39	7.5 0.30	18 0.71	12 0.47	70 2.76	14 0.55	35 1.38	52 2.05	48 1.89	34 1.34	10	14 N 3.15 lbf	35 N 7.87 lbf
10 0.394	20 0.79	6.1 0.240	6.1 0.240	36 1.42	7 0.28	7.5 0.30	1.5 0.06	10 0.39	7.5 0.30	18 0.71	12 0.47	70 2.76	14 0.55	35 1.38	52 2.05	48 1.89	34 1.34	10	14 N 3.15 lbf	35 N 7.87 lbf
12 0.472	20 0.79	6.1 0.240	6.1 0.240	36 1.42	7 0.28	7.5 0.30	1.5 0.06	10 0.39	7.5 0.30	18 0.71	12 0.47	70 2.76	14 0.55	35 1.38	52 2.05	48 1.89	34 1.34	10	14 N 3.15 lbf	35 N 7.87 lbf
14 0.551	20 0.79	6.1 0.240	6.1 0.240	36 1.42	7 0.28	7.5 0.30	1.5 0.06	10 0.39	7.5 0.30	18 0.71	12 0.47	70 2.76	14 0.55	35 1.38	52 2.05	48 1.89	34 1.34	10	14 N 3.15 lbf	35 N 7.87 lbf
16 0.630	30 1.18	10.1 0.398	10.1 0.398	50 1.97	10 0.39	15 0.59	5 0.20	15 0.59	14 0.55	34 1.34	10 0.39	103 4.06	20 0.79	54 2.13	78 3.07	80 3.15	55 2.17	17	22 N 4.95 lbf	70 N 15.74 lbf
20 0.787	30 1.18	10.1 0.398	10.1 0.398	50 1.97	10 0.39	15 0.59	5 0.20	15 0.59	14 0.55	34 1.34	10 0.39	103 4.06	20 0.79	54 2.13	78 3.07	80 3.15	55 2.17	17	22 N 4.95 lbf	70 N 15.74 lbf

Specification

Guide

- Steel precision casting
 - Zinc plated, blue passivated finish **ZB**
 - Zinc plated and powder coated Black, RAL 9005, textured finish **SW**
- Stainless steel precision casting AISI 316 **A4**

Pull ring

- Steel precision casting
 - Zinc plated, blue passivated finish for ZB / SW
- Stainless steel precision casting AISI 316 for A4

Plunger pin

- Steel
 - Zinc plated, blue passivated finish for ZB / SW
- Stainless steel AISI 316 for A4

Spring

Stainless steel AISI 316Ti

Set screw DIN 915

- Steel, zinc plated for ZB and SW
- Stainless steel for A4

RoHS

With indexing plungers GN 722.6, the plunger pin is actuated via the pull ring. This is done either manually, with a cable or by means of an extended pull rod with hook. The **ZB** and **SW** versions are designed for applications in steel construction, whereas the **A4** stainless steel version is suitable for use in particularly aggressive environments.

The dimensional tolerances between plunger pin and body are selected so that the functional reliability is guaranteed even with rough applications or in case of contamination.

For fastening, slotted or hexagonal mounting holes allow the use of socket cap screws ISO 4762 and hex screws or nuts according to DIN 931 or DIN 934.

Technical Information

List of Indexing Plunger Types	QVX
Load Rating Information	QVX
Stainless Steel Characteristics	QVX

How to order

GN 722.6-10-20-A-SW

1	Pin diameter d ₁
2	Square s
3	Type
4	Material (Finish)