

**3 Type**

**A** Flat locating surface

**Metric table**

Dimensions in: millimeters - *inches*

<b>1</b> d <sub>1</sub>	<b>2</b> d <sub>2</sub>	d <sub>3</sub>	d <sub>4</sub>	h	t
28 <i>1.10</i>	M 4	26 <i>1.02</i>	24 <i>0.94</i>	10 <i>0.39</i>	5 <i>0.20</i>
42 <i>1.65</i>	M 5	40 <i>1.57</i>	38 <i>1.50</i>	11 <i>0.43</i>	6 <i>0.24</i>

**Specification**

- Body  
Stainless steel AISI 316LN  
Matte finish (Ra < 0.8 µm) **MT**
- Sealing ring
  - H-NBR **H**
  - EPDM **E**
  - Temperature resistant  
-13 °F to +302 °F (-25 °C to +150 °C)
  - Temperature resistant  
-40 °F to +248 °F (-40 °C to +120 °C)
  - Blue
  - Hardness 85 ±5 Shore A
  - FDA compliant
- [Plastic Characteristics](#) → page QVX
- [RoHS](#)

**Information**

Holding disks GN 7090 are used as counterparts for retaining magnets when these are used in connection with non-magnetic materials or when the holding force needs to be increased due to thin material.

They are intended for use in hygiene areas. The sealed screw-on surface enables mounting without dead spaces; the impervious geometry in combination with the high quality finish prevents dirt from accumulating and facilitates cleaning.

The holding disks can also be used in particularly aggressive environments thanks to the material used.

**see also...**

- [Product Family Hygienic Design](#) → page QVX
- [Assembly Instructions for GN 5080 / GN 5090 / GN 7080 / GN 7090](#) → page QVX
- [Retaining Magnets GN 5080 \(with Threaded Stud, Hygienic Design\)](#) → page XYZ
- [Retaining Magnets GN 5090 \(with Tapped Hole, Hygienic Design\)](#) → page XYZ
- [Magnet Holding Disks GN 70 \(Steel / Stainless Steel\)](#) → page QVX

**Accessory**

- Sealing Rings GN 7600 → page QVX
- Hex Head Screws GN 1580 → page QVX
- Hex Head Screws GN 1581 → page QVX

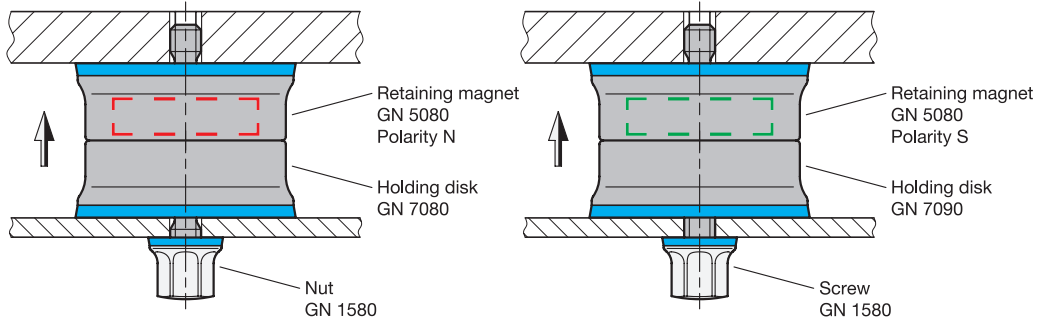
**On request**

- With FKM sealing ring (fluorine rubber) **F**

How to order	
<b>1</b>	Diameter d <sub>1</sub>
<b>2</b>	Thread d <sub>2</sub>
<b>3</b>	Type
<b>4</b>	Finish
<b>5</b>	Sealing ring material

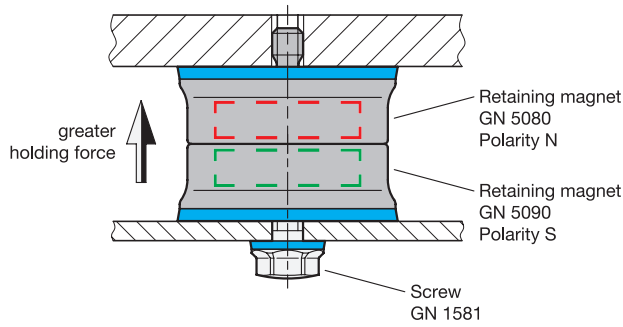
**GN 7090-42-M5-A-MT-E**

**Retaining magnet with holding disks**



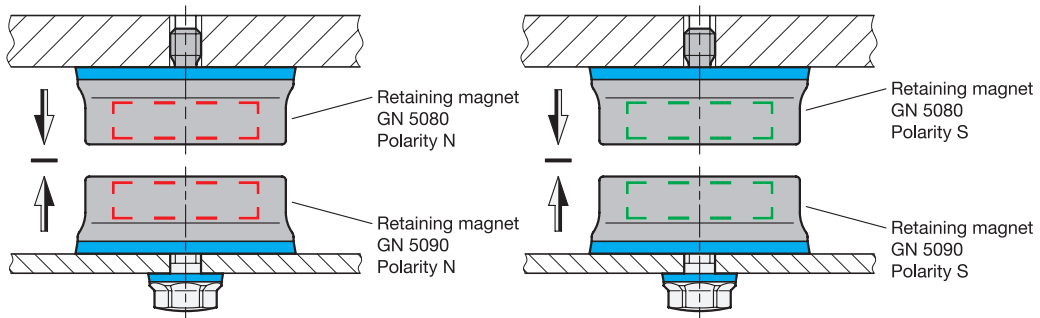
A normal holding force is achieved by combining retaining magnets with holding disks. Retaining magnets with north or south poles on the holding surface can be used equally.

**Two retaining magnets with opposite polarity**



If two retaining magnets with opposite polarity are combined, an increased holding force is achieved.

**Two retaining magnets with the same polarity**



Combining two retaining magnets with the same polarity creates a repelling force.

