

Metric



- 3 Type**
- A** With arrow
  - B** Neutral, without arrow or scale
  - S** With standard scale 0...9, 100 graduations
  - KS** With customized scale

**Metric table**

Dimensions in: millimeters / inches

<b>1</b> $d_1$	<b>2</b> $d_2$ H7 Bore with keyway	$d_3$	$d_4$ -0.2	$d_5$	$l_1$	$l_2$	$l_3$
66 2.60	K 12 K 14	52 2.05	55 2.165	5.5 0.22	44 1.73	9 0.35	40 1.57

**Specification**

**Locating ring / Bushing ring**

Steel  
Blackened finish

**Blocking mechanism**

Steel  
Hardened and ground

**Scale ring / Rotating knob**

Aluminum

- Black anodized finish
- Scale / Arrow for type A / S / KS
- Laser engraved
- Centered between two mounting holes

RoHS

**On request**

- Special graduations (see „How to Order graduations“)

With these indexing knobs GN 700 a shaft can be infinitely adjusted in both directions. The anti-backlash mechanism with a max. load of 15 Nm ensures the firm locking of the shaft in any position.

This mechanism prevents any uncontrolled movement of the shaft. The locking action is a safety feature to prevent unwanted re-adjustments caused by backlash and vibration.

Scale and arrow on the control knobs are indelibly marked and easily legible since the engraved „aluminum colored“ numbers contrast with the black anodized surface.

Besides the standard scale (type S) the control knob version may be supplied with any other scale (type KS).

Regarding design, numbering run, numbering position and numbering sequence of the scale please see the layout for scale rings on the order sheet „How to order Graduations“

**see also...**

	<b>Page</b>
<b>GN 200</b> Indexing Mechanisms (Steel / Stainless Steel)	QVX / QVX
<b>GN 215</b> Indexing Levers	QVX

**Technical Information**

Technical Instructions	QVX
How to Order Graduations	QVX
Keyways P9 DIN 6885-2	QVX
ISO Fundamental Tolerances	QVX

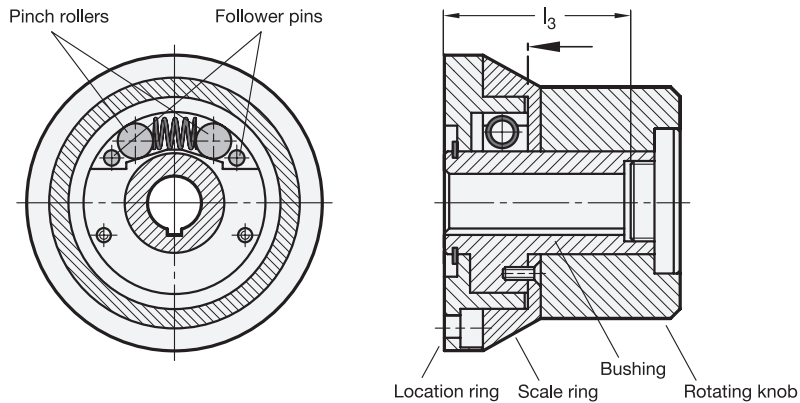
**How to order**

**GN 700-66-K14-S**

<b>1</b>	Outside diameter $d_1$
<b>2</b>	Bore $d_2$
<b>3</b>	Type

1.1  
1.2  
1.3  
1.4  
2.1  
2.2  
2.3  
2.4





## Description

The anti-backlash mechanism which operates on the principle of a bidirectional freewheeling and antireversing basis allows the transfer of movement in both directions without backlash. The adjustable knob is not suitable for applications on machines or equipments which are exposed to vibrations.

The **bushing** is connected by the parallel key / keyway to the revolving shaft.

The **location ring** remains static and centrally positioned by the bushing and the two pinch rollers, fixed to the machine frame or housing by three screws.

The **rotating knob** with the knurled barrel is carried by the bushing.

The **scale ring** is firmly anchored to the bushing and the driven shaft by two countersunk screws.

If the knob is repositioned, one of the follower pins – depending on the direction of rotation – pushes the pinch roller against the pressure spring into an idling position which releases the bushing and shaft to rotate freely.

The second follower pin on the opposite side reduces the movement of its pinch roller and ensures at the same time a firm grip and forward movement of the bushing while the first pinch roller remains in an idling position.

When „releasing“ the knob, the pressure spring will push the pinch roller back into the grip position, thus linking the bushing again with the static section.

The scale ring is connected firmly with the bushing and any readjustment of the shaft can be accurately controlled.

This infinitely adjustable knob cannot, however, be used in such cases where the shaft to be adjusted runs ahead of the adjustment. The anti-backlash mechanism in this knob cannot be used as a bearing for the driven shaft.

## Hints for Installation

A perfect functioning can only be guaranteed if the shaft of the machine is positioned at a perfect right angle to the contact surface of the static part.