

**GN 676.1**

Steel, Blackened Finish

**GN 676.2**

Steel, Zinc Plated

**GN 676.5**

Stainless Steel

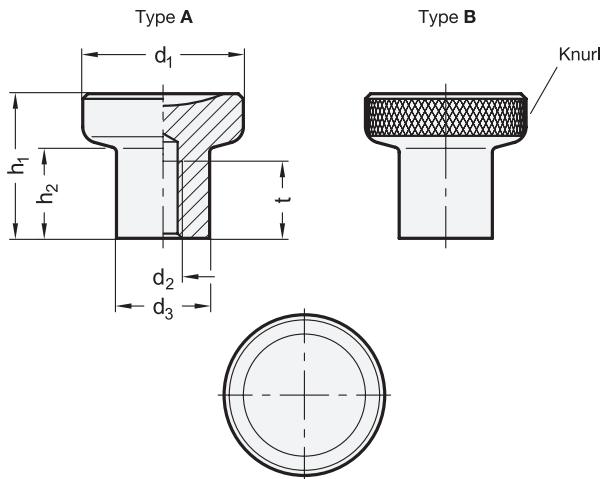
**Push / Pull Knobs**

with Tapped Blind Hole, Plain or Knurled Rim



**JWWINCO®**

A Ganter Company



**SS** Stainless Steel

**3 Type**

- A Without knurl
- B With knurl

**Metric table**

Dimensions in: millimeters - inches

<b>d<sub>1</sub></b>	<b>d<sub>2</sub></b>	<b>d<sub>3</sub></b>	<b>h<sub>1</sub></b>	<b>h<sub>2</sub></b>	<b>t min.</b>
21 0.83	M 4 M 5	12.5 0.49	18 0.71	10.5 0.41	10 0.39
25 0.98	M 6 M 8	14.5 0.57	22.5 0.89	14 0.55	12 0.47
31 1.22	M 8 -	18.5 0.73	27 1.06	17 0.67	15 0.59
31 1.22	M 10 -	18.5 0.73	27 1.06	17 0.67	17 0.67

**Specification**

- **GN 676.1**  
Steel, blackened finish
- **GN 676.2**  
Steel, zinc plated, blue passivated finish
- **GN 676.5**  
Stainless steel AISI 303  
Matte shot-blasted finish
- *Stainless Steel Characteristics* → page 2143
- **RoHS compliant**

**Information**

GN 676.1 / GN 676.2 / GN 676.5 knobs are used in applications where a push or pull movement is required. Their concave top gives a more comfortable thumb grip.

The version with knurl (type B) can be used as a knurled nut.

see also...

- *Knurled Knobs EN 676* → page 73
- *Knurled Knobs EN 676 (Detectable Plastic)* → page 74
- *Knurled Knobs EN 676 (Antibacterial Plastic)* → page 75
- *Waist Shaped Knobs GN 75 (Steel)* → page 71
- *Waist Shaped Knobs GN 75.5 (Stainless Steel)* → page 71

How to order (Steel, blackened finish)	1 Handle diameter d <sub>1</sub>
<b>GN 676.1-21-M5-B</b>	2 Thread d <sub>2</sub>
	3 Type
How to order (Steel, zinc plated)	1 Handle diameter d <sub>1</sub>
<b>GN 676.2-21-M5-B</b>	2 Thread d <sub>2</sub>
	3 Type
How to order (Stainless steel)	1 Handle diameter d <sub>1</sub>
<b>GN 676.5-31-M10-A</b>	2 Thread d <sub>2</sub>
	3 Type

1.1  
1.2  
1.3  
1.4  
2.1  
2.2  
2.3  
2.4