

Inch table

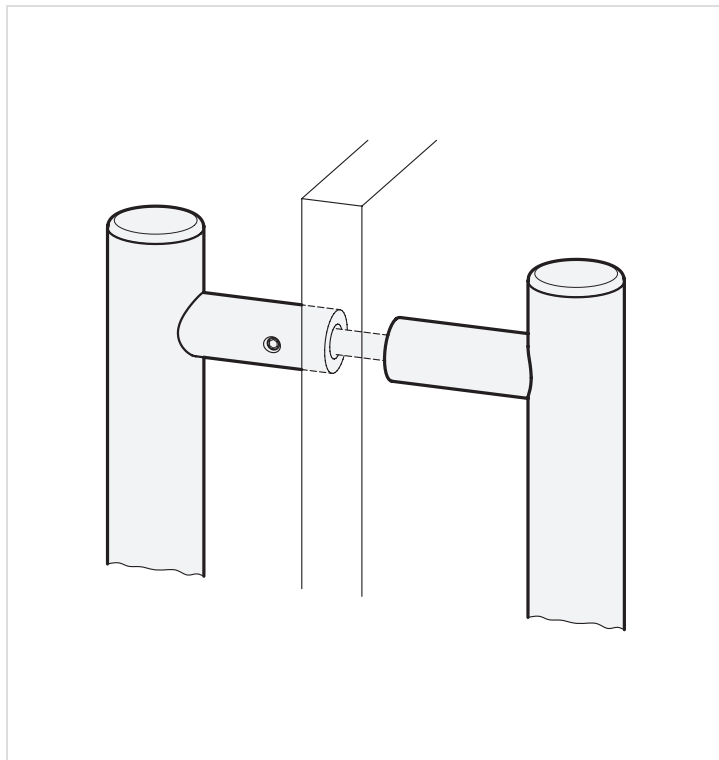
Dimensions in: inches - millimeters

¹ d ₁	² d ₂ GN 666.5	³ l ₁ ±0.02	d ₄	h	l ₃	t min.
1.18 30.0	5/16 x 18	8.00 203.2	0.79 20.1	2.36 59.9	10.55 268.0	0.59 15.0
1.18 30.0	5/16 x 18	10.00 254.0	0.79 20.1	2.36 59.9	12.56 319.0	0.59 15.0
1.18 30.0	5/16 x 18	12.00 304.8	0.79 20.1	2.36 59.9	14.57 370.1	0.59 15.0
1.18 30.0	5/16 x 18	16.00 406.4	0.79 20.1	2.36 59.9	18.54 470.9	0.59 15.0
1.18 30.0	5/16 x 18	20.00 508.0	0.79 20.1	2.36 59.9	22.56 573.0	0.59 15.0
1.18 30.0	5/16 x 18	24.00 609.6	0.79 20.1	2.36 59.9	26.57 674.9	0.59 15.0

Metric table

Dimensions in: millimeters - inches

¹ d ₁	² d ₂ GN 666.5		² d ₃ GN 666.7	³ l ₁ ±0.5	l ₂ ±0.3 Threaded bore for mounting stud of GN 666.7	d ₄	h	l ₃	l ₄	t min.
30 1.18	M 6	M 8	M 8	200 7.87	200 7.87	20 0.79	60 2.36	265 10.43	15 0.59	15 0.59
30 1.18	M 6	M 8	M 8	250 9.84	250 9.84	20 0.79	60 2.36	315 12.40	15 0.59	15 0.59
30 1.18	M 6	M 8	M 8	300 11.81	300 11.81	20 0.79	60 2.36	365 14.37	15 0.59	15 0.59
30 1.18	M 6	M 8	M 8	400 15.75	400 15.75	20 0.79	60 2.36	465 18.31	15 0.59	15 0.59
30 1.18	M 6	M 8	M 8	500 19.69	500 19.69	20 0.79	60 2.36	565 22.24	15 0.59	15 0.59
30 1.18	M 6	M 8	M 8	600 23.62	600 23.62	20 0.79	60 2.36	665 26.18	15 0.59	15 0.59



Application example

GN 666.5 and GN 666.7 tubular grip handles allow the mounting of a pair of handles in the opposite position. This method could be used on doors (double handle).

Generally a modification of the thread length l₄ is required for this. The included DIN 913-M8x25-A2 threaded pin of the mounting stud may need to be replaced by a longer threaded pin in order for the handles to be mounted properly.

Handles with a modified thread length l₄ are available upon request.

