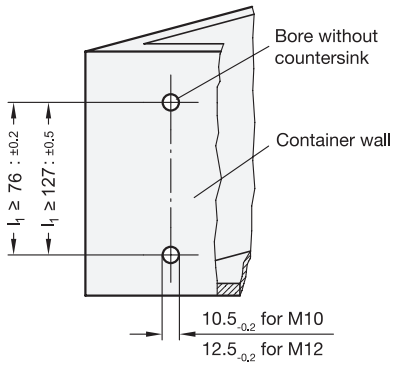




Assembly instructions

The assembly of EN 654 and EN 654.1 fluid level indicators is very easy and economical. It is sufficient to drill two holes of Ø 10.5 or Ø 12.5 mm at distance l_1 in the container wall. The fluid level indicator can also be mounted directly, i.e. without nut, if the container wall is provided with the corresponding thread.

All component parts necessary for the assembly are included: hex nuts, O-rings, and serrated lock washers for securing. For a perfect seal, the screws should not be overtightened (max. 12 Nm). Recommended roughness of the sealing surface, $R_a = 3 \mu\text{m}$.



3.1
3.2
3.3
3.4
3.5
3.6
3.7
3.8
3.9
3.10

