

Metric table

Dimensions in: millimeters - inches

l ₁		b	d Thread	l ₂	l ₃	l ₄	l ₅	l ₆	l ₇	s ≈ Max. wall thickness
EN 654	EN 654.1									
-	76 2.99	33 1.30	M 10	20 0.79	42 1.65	113 4.45	17 0.67	18.5 0.73	33 1.30	12 0.47
127	127 5.00	33 1.30	M 12	20 0.79	71 2.80	164 6.46	28 1.10	18.5 0.73	33 1.30	10 0.39
176	176 6.93	33 1.30	M 12	20 0.79	120 4.72	213 8.39	28 1.10	18.5 0.73	33 1.30	10 0.39
254	254 10.00	33 1.30	M 12	20 0.79	198 7.80	291 11.46	28 1.10	18.5 0.73	33 1.30	10 0.39
381	381 15.00	33 1.30	M 12	20 0.79	325 12.80	418 16.46	28 1.10	18.5 0.73	33 1.30	10 0.39
508	508 20.00	33 1.30	M 12	20 0.79	452 17.80	545 21.46	28 1.10	18.5 0.73	33 1.30	10 0.39

Specification

- **EN 654**
Plastic tube
Crystal clear Polycarbonate PC
- Temperature resistant up to 212 °F (100 °C)
- Alcohol resistant
- Not solvent resistant
NBR rubber O-ring (Perbunan®)
Steel screw, zinc plated
- **EN 654.1**
Glass tube
Borosilicate glass (Pyrex®)
- Temperature resistant up to 266 °F (130 °C)
- Highest mechanical and thermal resistance
FKM rubber O-ring (Viton®)
AISI 303 stainless steel screw

Following information applies to both series:

- Aluminum U-rail
Anodized finish, natural color
- Plastic end pieces
Technopolymer (Polyamide PA)
- Black, matte finish
- Temperature resistant up to 266 °F (130 °C)
- Plastic cover
Crystal clear Polycarbonate PC
- *Elastomer Characteristics* → page 2135
- *Plastic Characteristics* → page 2135
- RoHS compliant

Information

EN 654 and EN 654.1 fluid level indicators are very stable due to the aluminum U-rail and the cover, which makes them also suitable for long lengths. The fluid level can also be viewed from the side.

EN 654.1 fluid level indicators are characterized by their high chemical resistance and are therefore also suitable for media containing or based on glycol.

For special requirements of chemical, pressure, and temperature resistance, please contact us.

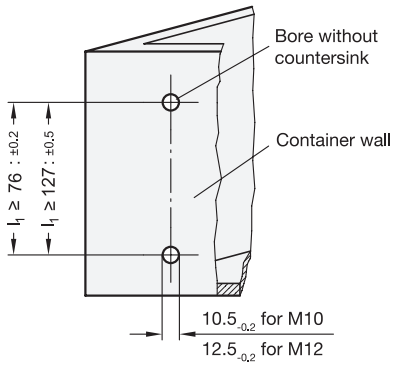
see also...

- *List of Fluid Level Indicator Types* → page 1658
- *Assembly Sets EN 654.2 (for Electrical Fluid Level Monitoring)* → www.jwwinco.com

On request

- Other lengths l₁
- With temperature indication
- With electrical fluid level monitoring

How to order (Standard)	1	Length l ₁
EN 654-381		
How to order (High chemical resistance)	1	Length l ₁
EN 654.1-254		



Assembly instructions

The assembly of EN 654 and EN 654.1 fluid level indicators is very easy and economical. It is sufficient to drill two holes of $\varnothing 10.5$ or $\varnothing 12.5$ mm at distance l_1 in the container wall. The fluid level indicator can also be mounted directly, i.e. without nut, if the container wall is provided with the corresponding thread.

All component parts necessary for the assembly are included: hexagon nuts, O-rings, and serrated lock washers for securing. For a perfect seal, the screws should not be overtightened (max. 12 Nm). Recommended roughness of the sealing surface, $R_a = 3 \mu\text{m}$.

