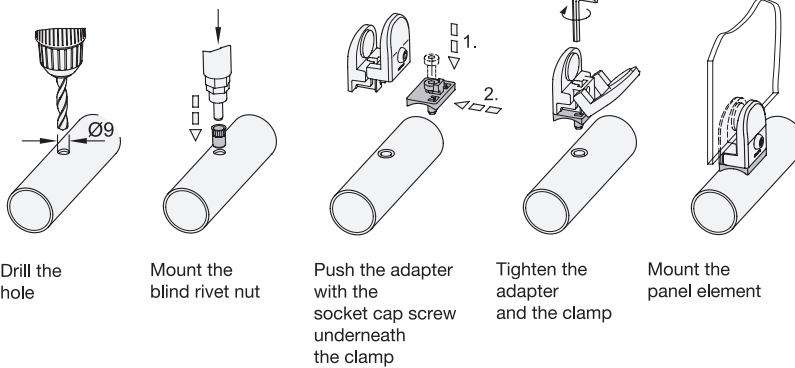


**Assembly instruction**



**Metric table**

Dimensions in: millimeters - inches

<b>d</b> Tube Ø from - to	Part number
30 - 34 1.18 - 1.34	EN 649.1-30-34
40 - 43 1.57 - 1.69	EN 649.1-40-43
48 - 52 1.89 - 2.05	EN 649.1-48-52

**Specification**

- Adapter  
Plastic  
Technopolymer (Polyamide PA)  
- Glass fiber reinforced technopolymer  
- Gray, RAL 7042, matte finish  
- Temperature resistant up to 176 °F (80 °C)
- Flat socket cap screw DIN 7984-M6  
Steel  
Zinc plated, blue passivated finish
- Blind rivet nut M6  
Steel  
Zinc plated, blue passivated finish
- *Plastic Characteristics* → page QVX
- **RoHS compliant**

**Information**

EN 649.1 adapters allow EN 649 panel support clamps to be mounted to round tubes. Mounting the M6 blind rivet nut requires a commercial blind rivet nut pliers or a setting tool. The blind rivet nut and the DIN 7984-M6 flat socket cap screw are included.

How to order	1 Diameter d
<b>EN 649.1-30-34</b>	