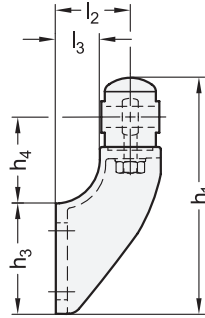
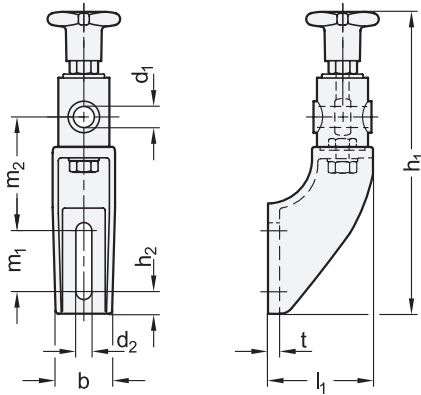


3.1
3.2
3.3
3.4
3.5
3.6
3.7
3.8
3.9
3.10

Identification no. 1

Identification no. 2



Metric



elesa

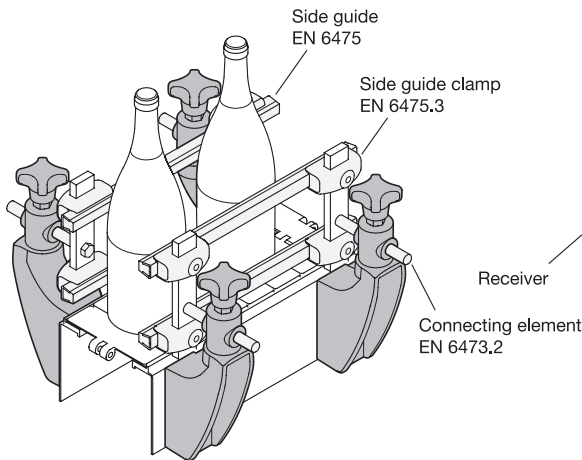
Original design SPR-B / SPR.V-B

SS Stainless Steel

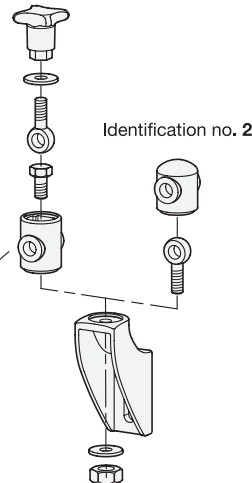
1 Identification no.

- 1 With hand knob
- 2 Without hand knob

Application example



Identification no. 1



Metric table

2			3		Dimensions in: millimeters / inches										
d ₁	h ₁		b	d ₂	h ₂	h ₃	h ₄	l ₁	l ₂	l ₃	m ₁	m ₂	t		
D 12	D 14	D 16	Id. no. 1	Id. no. 2											
			238	193	41	11	11	100	70	85	64	43	69	90	8
			9.37	7.60	1.61	0.43	0.43	3.94	2.76	3.35	2.52	1.69	2.72	3.54	0.31

Specification

Bracket / receiver

- Plastic, polyamide (PA)
- Glass fiber reinforced
- Operating temperature -22 °F to 212 °F (-30 °C to +100 °C)
- Black, matte finish

Hand knob (Identification no. 1)

- Plastic, polyamide (PA)
- Glass fiber reinforced
- Black, matte finish
- Brass tapped insert
- Hex head screw, stainless steel AISI 304

Swing bolt / Hex nut / Washer

Stainless steel AISI 304

RoHS

Side guide brackets EN 6476.2 fasten side guides or side guide segments to conveyor sections. This also requires the use of connecting elements EN 6473.2, retaining profiles EN 6473.1 or side guide clamps EN 6475.3, EN 6475.4 or EN 6475.5.

The swiveling receiver also allows side guides to be mounted that are not perpendicular to the mounting surface of the bracket. Clamping is carried out without tools.

Technical Information

Plastic Characteristics	QVX
Stainless Steel Characteristics	QVX

How to order

EN 6476.3-1-D16-238

- 1 Identification no.
- 2 Diameter d₁
- 3 Height h₁