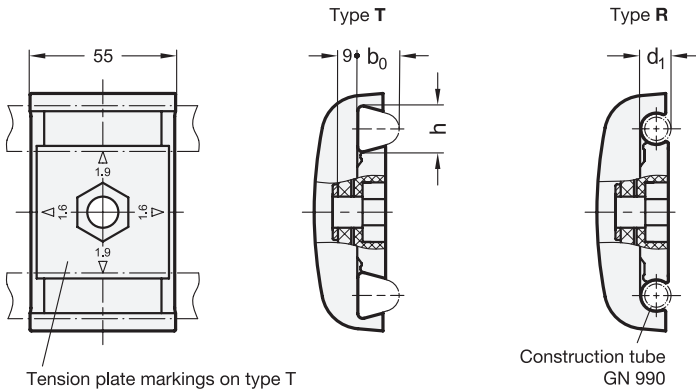


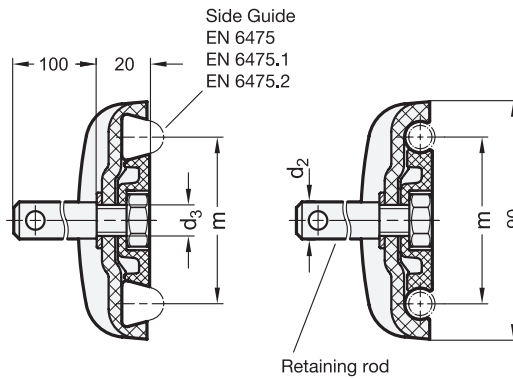
3.1
3.2
3.3
3.4
3.5
3.6
3.7
3.8
3.9
3.10



elesa
Original design MPG-2T / MPG-2T-P

SS Stainless Steel

- 1 Type**
T Retaining profile trapezoidal
R Retaining profile round



Metric table

2 2 3 Dimensions in: millimeters / inches

d ₁	h	d ₂			b ₀			d ₃	m	
		Retaining rod			EN 6475	EN 6475.1	EN 6475.2		Type T	Type R
Type R B 12	Type T 17 0.67	D 12	D 14	D 16	18 / 21	18	20	M 10	64 2.52	67 2.64

Specification

Clamp
 Plastic, Polyamide (PA)
 • Operating temperature
 -22 °F to 212 °F (-30 °C to +100 °C)
 • Shock resistant
 • Black

Retaining rod / Nut
 Stainless steel AISI 304

RoHS

Technical Information
 Plastic Characteristics QVX
 Stainless Steel Characteristics QVX

Side guide clamps EN 6475.5 attach two side guides at once to conveyor sections. The version with retaining rod additionally requires the use of side guide holders EN 6476, EN 6476.2 or EN 6476.3. The version with an internal thread enables direct mounting, for example on a side wall. When installing type T, the “1.9” markings on the tension plate must point towards the side guides as shown in the drawing.

see also... Page

EN 6475 Side Guides (Guide Contour Flat)	QVX
EN 6475.1 Side Guides (Guide Contour Rounded)	QVX
EN 6475.2 Side Guides (Guide Contour Flat, Stepped)	QVX
EN 6476 Side Guide Bracket (Rigid, with Contact Edge)	QVX
EN 6476.2 Side Guide Bracket (Swiveling, with Contact Edge)	QVX
EN 6476.3 Side Guide Bracket (Swiveling)	QVX
GN 990 Construction Tubes	QVX

How to order (Without retaining rod)	1 Type
EN 6475.5-R-B12	2 Diameter d₁ (Height h)

How to order (With retaining rod)	1 Type
EN 6475.5-T-17-D14	2 Height h (Diameter d₁)
	3 Diameter d₂