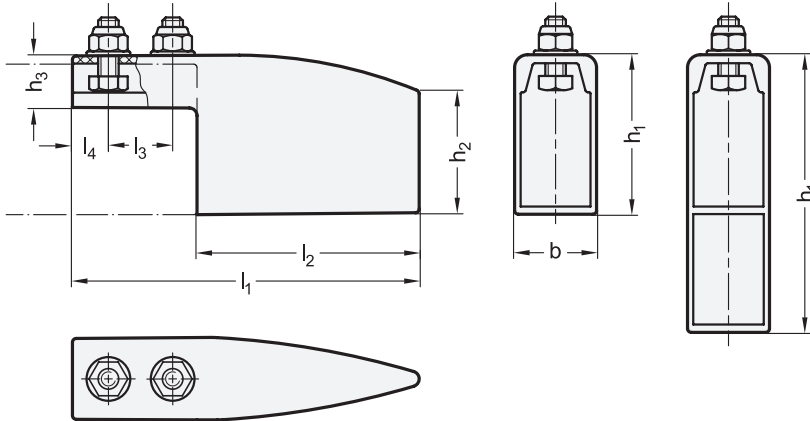


Identification no. 1 Identification no. 2 Metric



elesa
Original design PGC-2 / PGC-4

SS Stainless Steel

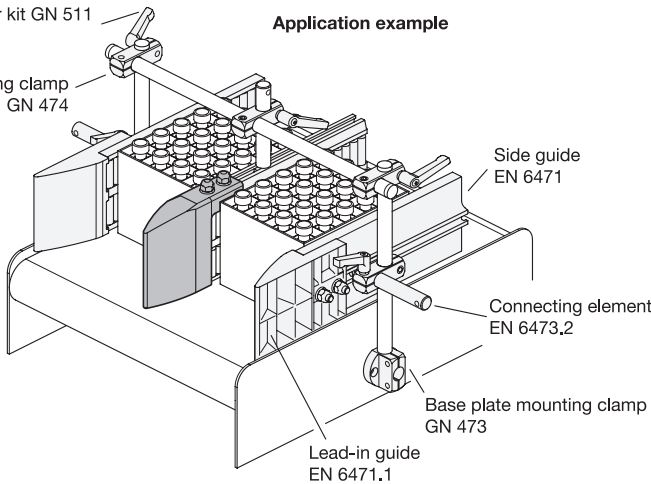
1 Identification no.

- 1 Single row
- 2 Double row

Adjustable lever kit GN 511

Application example

Two-way mounting clamp GN 474



Metric table

Dimensions in: millimeters / inches

l ₁	b	h ₁		h ₂		h ₃	l ₂	l ₃	l ₄
		Id. no. 1	Id. no. 2	Id. no. 1	Id. no. 2				
135	32	62	107.7	48	93.7	20.5	85	25	14
5.31	1.26	2.44	4.24	1.89	3.69	0.81	3.35	0.98	0.55

Specification

Guide

Plastic, Polyethylene **PE**
 • Operating temperature
 -4 °F to 194 °F (-20 °C to 90 °C)
 • Gray **GR**

Hex head screws / nuts

Stainless steel AISI 304

RoHS

Lead-in guides EN 6472.1 extend side guides EN 6472 and ensure a smooth material flow. They are mounted on the end face by sliding into the T-slot of the side guide using the supplied nuts.

see also...

EN 6472 Side Guides

Page

QVX

Technical Information

Plastic Characteristics

QVX

Stainless Steel Characteristics

QVX

How to order

EN 6472.1-1-135-PE-GR

- 1 Identification no.
- 2 Length l₁
- 3 Material
- 4 Color