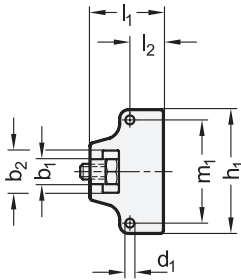
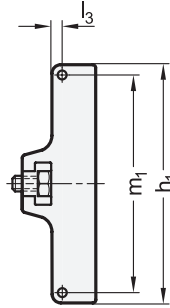


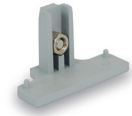
Identification no. 1



Identification no. 2



Metric

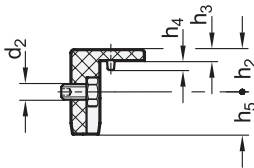


elesa
Original design TGL

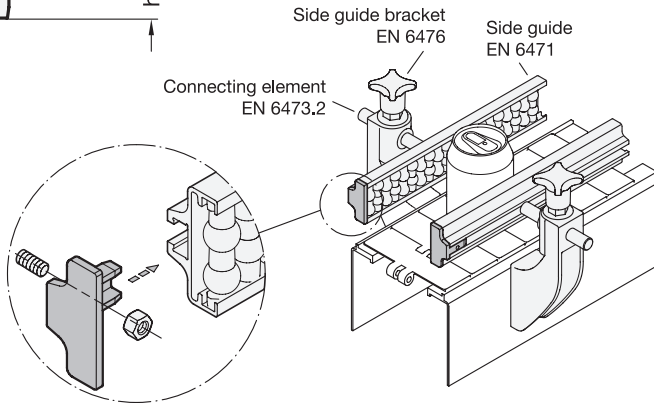
SS Stainless Steel

1 Identification no.

- 1 Single row
- 2 Double row



Application example



Metric table



Dimensions in: millimeters / inches

l ₁	b ₁	b ₂	d ₁	d ₂	h ₁	Id. no.		h ₂	h ₃	h ₄	h ₅	l ₂	l ₃	m ₁	
						Id. no. 1	Id. no. 2							Id. no. 1	Id. no. 2
24	8	13.5	2.5	M 5	47.5	93	13.5	3.5	3	13.5	10.8	3.2	40.9	86	
0.94	0.31	0.53	0.10		1.87	3.66	0.53	0.14	0.12	0.53	0.43	0.13	1.61	3.39	

Specification



End cap

- Plastic, polyamide **PA**
- Operating temperature -22 °F to 212 °F (-30 °C to +100 °C)
- Gray **GR**

Set screw / nut

Stainless steel AISI 304

RoHS

Technical Information

Plastic Characteristics	QVX
Stainless Steel Characteristics	QVX

End caps EN 6471.2 extend side guides EN 6471. They ensure an attractive appearance and protect against injuries or damage to the conveyed goods. They are mounted on the end face by sliding into the T-slot of the side guide using the supplied set screw.

see also...

	Page
EN 6471 Side Guides	QVX
EN 6476 Side Guide Brackets	QVX
EN 6473.2 Connecting Elements	QVX

How to order

EN 6471.2-2-24-PA-GR

- 1 Identification no.
- 2 Length l₁
- 3 Material
- 4 Color