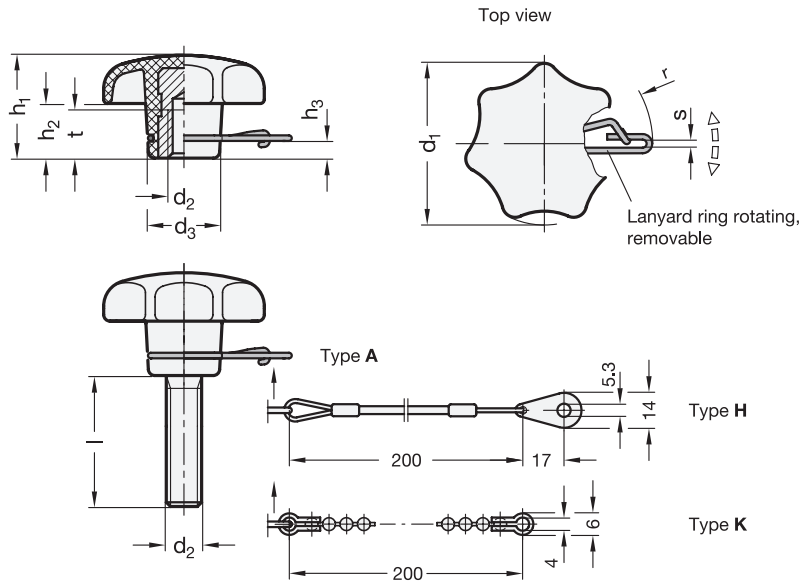


GN 6336.13

Tapped Insert / Threaded Stud

Star Knobs with Loss Protection

Technopolymer Plastic



SS Stainless Steel

4 Type

- A With lanyard ring only
- H With retaining cable
- K With ball chain

Metric table

Dimensions in: millimeters - inches												
d ₁	d ₂	Length l				d ₃	h ₁	h ₂	h ₃	r	s	t min.
25* 0.98	M 5	10 0.39	15 0.59	20 0.79	25 0.98	12 0.47	16 0.63	8 0.31	2.5 0.10	21.2 0.83	2.8 0.11	-
32 1.26	M 6	16 0.63	20 0.79	25 0.98	30 1.18	14 0.55	20 0.79	10 0.39	3.5 0.14	22.3 0.88	2.8 0.11	12 0.47
40 1.57	M 8	20 0.79	25 0.98	30 1.18	40 1.57	18 0.71	25 0.98	13 0.51	4 0.16	29.5 1.16	3.2 0.13	14 0.55
50 1.97	M 10	20 0.79	25 0.98	30 1.18	45 1.77	22 0.87	32 1.26	17 0.67	5 0.20	34.6 1.36	3.8 0.15	18 0.71
63 2.48	M 12	30 1.18	40 1.57	50 1.97	-	26 1.02	40 1.57	21 0.83	5.5 0.22	36.7 1.44	3.8 0.15	22 0.87

*This size is only available with threaded stud

Specification

- Star knob DIN 6336
Plastic
Technopolymer (Polyamide PA)
Black, matte finish
- Tapped insert
Stainless steel AISI 303
- Threaded stud
Stainless steel
- M5 - M10: AISI 304 Cu
- M12: AISI 303
- Lanyard ring GN 111.6
Stainless steel AISI 301
- Ball chain GN 111.5 (Type K)
Stainless steel AISI 301
- Retaining cable GN 111.2 (Type H)
Stainless steel AISI 301
Coated with clear plastic
- [Plastic Characteristics](#) → page 2135
- [Stainless Steel Characteristics](#) → page 2143
- RoHS compliant

On request

- Ball chains / retaining cables with other lengths
- With spiral retaining cable GN 111.4
- Other GN series with loss protection
- Inch sizes

Information

GN 6336.13 star knobs with loss protection can be attached to a base element with the help of a ball chain or a retaining cable.

The star knobs are supplied ready assembled (with lanyard ring, with lanyard ring and retaining cable, or with lanyard ring and ball chain).

see also...

- [Ball Chains GN 111.5 \(Stainless Steel\)](#) → page 1236
- [Retaining Cables GN 111.2](#) → page 1238
- [Spiral Retaining Cables GN 111.4](#) → page 1237
- [Lanyard Rings GN 111.6](#) → page 1241
- [More Star Knobs with Loss Protection GN 111.7](#) → page 2046

How to order (Tapped insert)	1 Handle diameter d ₁
GN 6336.13-40-M8-A	2 Thread d ₂
	4 Type

How to order (Threaded stud)	1 Handle diameter d ₁
GN 6336.13-50-M10-30-K	2 Thread d ₂
	3 Length l
	4 Type