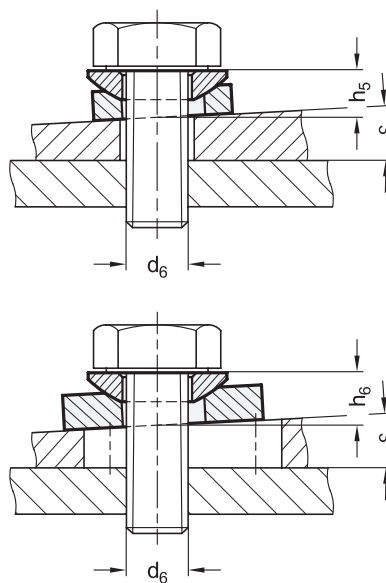


Assembly examples



SS Stainless Steel

2 Type

- C** Spherical seat washer
- D** Dished washer with $d_3 = d_2$
- G** Dished washer with $d_4 > d_2$ (enlarged outside diameter)

Metric table



Dimensions in: millimeters - inches

d ₁ H13 Type C	Type D / G	d ₂	d ₃	d ₄	d ₅	d ₆ Screw	h ₁	h ₂	h ₃	h ₄	h ₅ ≈	h ₆ ≈	r	Max. transferable static bolt force
6.4 0.25	7.1 0.28	12 0.47	12 0.47	17 0.67	11 0.43	M 6	0.7 0.03	2.3 0.09	2.8 0.11	4 0.16	4.2 0.17	5.4 0.21	9 0.35	6 kN 1349 lbf
8.4 0.33	9.6 0.38	17 0.67	17 0.67	24 0.94	14.5 0.57	M 8	0.6 0.02	3.2 0.13	3.5 0.14	5 0.20	5.6 0.22	7.1 0.28	12 0.47	10 kN 2248 lbf
10.5 0.41	12 0.47	21 0.83	21 0.83	30 1.18	18.5 0.73	M 10	0.8 0.03	4 0.16	4.2 0.17	5 0.20	6.5 0.26	7.3 0.29	15 0.59	17 kN 3822 lbf
13 0.51	14.2 0.56	24 0.94	24 0.94	36 1.42	20 0.79	M 12	1.1 0.04	4.6 0.18	5 0.20	6 0.24	8 0.31	9 0.35	17 0.67	25 kN 5620 lbf
15 0.59	16.5 0.65	28 1.10	28 1.10	40 1.57	24.8 0.98	M 14	1.2 0.05	5 0.20	5.6 0.22	6 0.24	8.5 0.33	9.5 0.37	22 0.87	34 kN 7644 lbf
17 0.67	19 0.75	30 1.18	30 1.18	44 1.73	26 1.02	M 16	1.3 0.05	5.3 0.21	6.2 0.24	7 0.28	9.6 0.38	10.4 0.41	22 0.87	47 kN 10566 lbf
21 0.83	23.2 0.91	36 1.42	36 1.42	50 1.97	31 1.22	M 20	2 0.08	6.3 0.25	7.5 0.30	8 0.31	11.7 0.46	12.2 0.48	27 1.06	73 kN 16411 lbf
25 0.98	28 1.10	44 1.73	44 1.73	60 2.36	37 1.46	M 24	2.4 0.09	8.2 0.32	9.5 0.37	10 0.39	15.2 0.60	15.7 0.62	32 1.26	105 kN 23605 lbf
31 1.22	35 1.38	56 2.20	56 2.20	68 2.68	49 1.93	M 30	3.6 0.14	11.2 0.44	12 0.47	12 0.47	19.2 0.76	19.7 0.78	41 1.61	168 kN 37768 lbf
37 1.46	42 1.65	68 2.68	68 2.68	-	60 2.36	M 36	4.6 0.18	14 0.55	15 0.59	-	23.5 0.93	-	50 1.97	245 kN 55078 lbf
43 1.69	49 1.93	78 3.07	78 3.07	-	70 2.76	M 42	6.5 0.26	17 0.67	18 0.71	-	29 1.14	-	58 2.28	336 kN 75536 lbf
50 1.97	56 2.20	92 3.62	92 3.62	-	82 3.23	M 48	8 0.31	21 0.83	22 0.87	-	35.5 1.40	-	67 2.64	441 kN 99141 lbf

Specification

- Stainless steel AISI 303 **NI**
Unhardened
- ISO Fundamental Tolerances → page 2129
- Stainless Steel Characteristics → page 2143
- RoHS compliant

On request

- Hardened spherical washers

Information

Spherical washers DIN 6319 are used for clamping on non-parallel surfaces. Thanks to the material used, the spherical washers are generally suited for aggressive environmental conditions. The dished washers type G with enlarged outside diameter are mainly used on elongated holes. When utilizing DIN 6330 type B fixture nuts with spherical end, the spherical washer is not required.

How to order

DIN 6319-21-C-NI

- 1** Inner diameter d₁
- 2** Type
- 3** Material

3.1
3.2
3.3
3.4
3.5
3.6
3.7
3.8
3.9
3.10