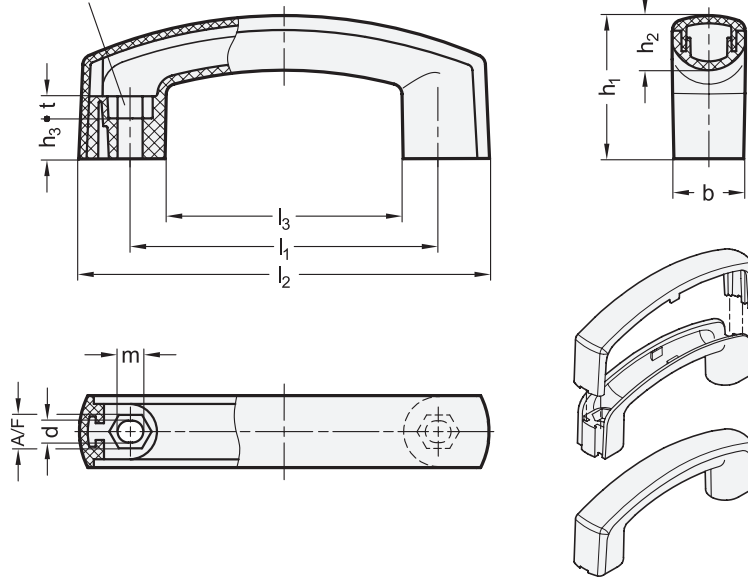


Bore for hex head screw  
DIN 931 / ISO 4014



**elisa**  
Original design EMPC.



**3 Type**  
**B** Mounting from the operator's side

**Metric table**

1		2		Dimensions in: millimeters - inches								
$l_1$		$d$	$b$	$h_1$	$h_2$	$h_3$	$l_2$	$l_3$	$m$	A/F	$t$	
Nominal size	Actual size											
117	118.5 ±1	6.5	28	54.5	21	17.5	159.5	93	8	10	6.5	
4.61	4.665 ±0.039	0.26	1.10	2.15	0.83	0.69	6.28	3.66	0.32	0.39	0.26	
117	118.5 ±1	8.5	28	54.5	21	15.5	159.5	93	10	13	8.5	
4.61	4.665 ±0.039	0.33	1.10	2.15	0.83	0.61	6.28	3.66	0.39	0.51	0.33	

**Specification**

- Body  
Plastic, Polyamide (PA)  
- Glass fiber reinforced  
- Temperature resistant up to 266 °F (130 °C)  
- Black-gray, matte finish similar to RAL 7021
- Cover cap  
Plastic, Polyamide (PA)  
Black-gray, RAL 7021, matte finish  
Orange, RAL 2004, matte finish  
Gray, RAL 7035, matte finish  
Yellow, RAL 1021, matte finish  
Blue, RAL 5024, matte finish  
Red, RAL 3000, matte finish  
Green, RAL 6017, matte finish
- Strength Properties → page QVX
- Plastic Characteristics → page QVX
- RoHS

- DSG
- DOR
- DGR
- DGB
- DBL
- DRT
- DGN

**Information**

The design of the cabinet U-handles EN 629 matches the product family of Ergostyle®.  
A typical field of application for these U-handles is doors of protective enclosures on machines and fixtures.  
By attaching the cover cap, the two fastening screws are covered. It can be removed using a screw-driver.  
The cover caps are supplied loose.

see also...

- Product Family Ergostyle® → page QVX
- Product Family Standard Parts for Profile Systems → page QVX
- Cabinet U-Handles EN 528 (Plastic) → page QVX
- Bridge Handles EN 628 (Plastic) → page QVX
- Cabinet U-Handles GN 565.1 (Aluminum) → page QVX

How to order	
1	Length $l_1$ (Nominal size)
2	Bore $d$
3	Type
4	Color of the cover cap

**EN 629-117-6.5-B-DSG**