

1.1
1.2
1.3
1.4
2.1
2.2
2.3
2.4

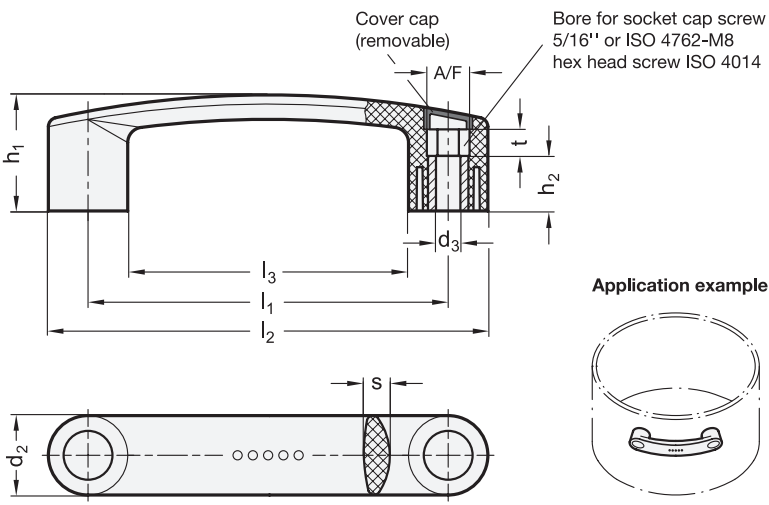
Metric



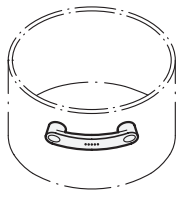
elesa
Original design EBP.FLX



- 2 Type**
- B** Mounting from the operator's side

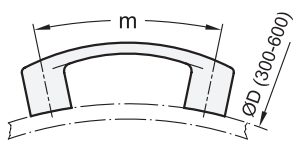


Application example



Calculation drilling distance m

l ₁	m
117	0.044 x D + 81.5
150	0.056 x D + 102.8



Metric table

Dimensions in: millimeters / inches

l ₁	d ₂	d ₃	h ₁	h ₂	l ₂	l ₃	s	A/F	t
117 ±0.5 4.61 ±0.02	26 1.02	8.5 0.33	39 1.54	18 0.71	143 5.63	91 3.58	9 0.35	13	8.5 0.33
150 ±1 5.91 ±0.04	28 1.10	8.5 0.33	45 1.77	18 0.71	178 7.01	122 4.80	10 0.39	13	14 0.55

Specification

Handle
Plastic, Polypropylene (PP) with thermoplastic Elastomer (TPE)
• Operating temperature 32 °F to 176 °F (0 °C to +80 °C)
• Black-gray, similar to RAL 7021, matte finish

Inserts
Brass

- Cover cap**
Plastic, Polyamide (PA)
• Black-gray, RAL 7021, matte finish
• Orange, RAL 2004, matte finish
• Gray, RAL 7035, matte finish
• Yellow, RAL 1021, matte finish
• Blue, RAL 5024, matte finish
• Red, RAL 3000, matte finish
• Green, RAL 6017, matte finish
- **DSG**
 - **DOR**
 - **DGR**
 - **DGB**
 - **DBL**
 - **DRT**
 - **DGN**

RoHS

On request

Various metric size fasteners and kit packaging

Bridge handles EN 628.3 are manufactured out of a flexible plastic material. They were developed for use on arched surfaces (see above illustration). These flexible handles can be used on curved surfaces with diameters from Ø 300 mm up to Ø 600 mm. For Ø bigger than 600 mm, the standard version EN 628 can be used. Cover caps are supplied but not assembled.

see also...

	Page
EN 628 Bridge Handles (Mounting from the Operator's Side or from the Back)	QVX

Technical Information

Product Family Ergostyle®	QVX
Strength Values	QVX
Plastic Characteristics	QVX

Accessory

EN 628.2 Spacers	QVX
------------------	-----

How to order	
1	Length l ₁
2	Type
3	Color of the cover caps

EN 628.3-150-B-DSG