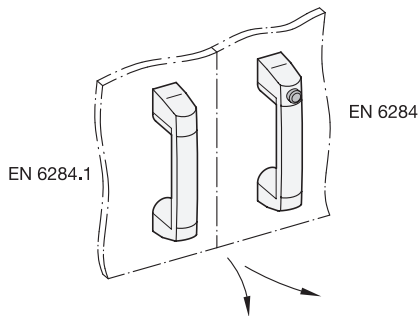


Application example



Metric table

² $l_1 \pm 1$	³ d	b	h_1	h_2	l_2	l_3	l_4	t
180 7.09	M 6	35 1.38	65 2.56	24 0.94	212.5 8.37	113 4.45	20 0.79	12 0.47

Dimensions in: millimeters - inches

Specification

- Handle
Plastic, Polyamide **PA**
- Glass fiber reinforced
- Self-extinguishing, UL-94 V0
- Temperature resistant up to 248 °F (120 °C)
- Black, matte finish ● **SW**
- Tapped inserts
Brass
- *Plastic Characteristics* → page QVX
- **RoHS**

Information

Cabinet U-handles EN 6284.1 are designed as a complementary handle for bridge handles EN 6284 with power switching function.

see also...

- *Bridge Handles EN 6284 (with Power Switching Function)* → page QVX

How to order ¹ ² ³ ⁴ EN 6284.1-PA-180-M6-SW	1 Material
	2 Length l_1
	3 Thread d
	4 Color