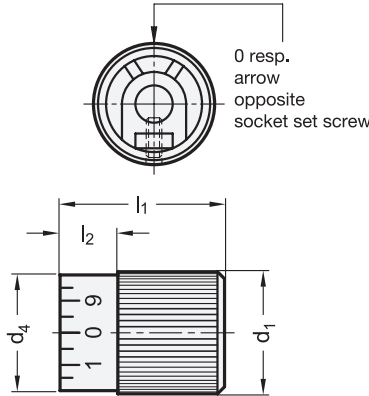
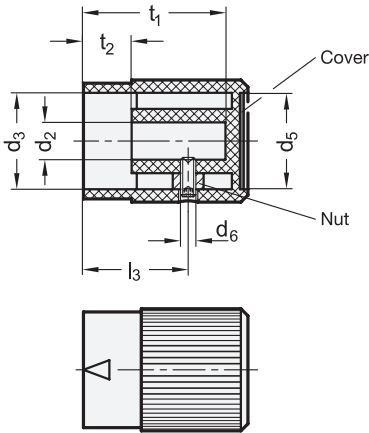


Metric



elesa
Original design IZP.

3 Type

- N** Neutral
- M** With arrow
- S** With scale 0...9, 20 graduations

Metric table

1 d_1 f7	2 d_2 H8 Bore	d_3	d_4	d_5	d_6	l_1	l_2	l_3	t_1	t_2
27 1.063	B 6	22 0.87	25 0.98	20.5 0.81	M 4	30 1.18	12 0.47	18 0.71	24 0.94	12 0.47
32 1.260	B 8	25 0.98	30 1.18	25 0.98	M 4	38 1.50	13 0.51	23 0.91	30 1.18	13 0.51
35 1.378	B 10	28 1.10	33 1.30	26.5 1.04	M 5	45 1.77	15 0.59	27 1.06	37 1.46	15 0.59
40 1.575	B 12	33 1.30	38 1.50	31 1.22	M 5	52 2.05	16.5 0.65	32 1.26	44 1.73	16 0.63

Dimensions in: millimeters / inches

Specification

Knob

- Plastic, Polyamide (PA)
- Glass fiber reinforced
- Operating temperature 32 to 266 °F (0 °C to +130 °C)
- Black, shiny finish
- Arrow for type M
- White, laser engraved
- Scale for type S
- White, laser engraved

Cover

- Aluminum
- Anodized finish, natural color

Nut / Socket set screw DIN 916

Steel

RoHS

On request

- Special graduations (see „How to Order Graduations“)

Besides the standard scale (Type S), the control knobs GN 626 can be supplied with any type of graduation.

Regarding design, numbering position and numbering sequence of the scale please see the layout for scale knobs on the order form „How to order Graduations“.

see also...

	Page
EN 526 Knurled Control Knobs (Plastic, with Steel Insert)	QVX
GN 726 Knurled Control Knobs (Aluminum, Black Anodized Finish)	QVX
GN 726.1 Knurled Control Knobs (Aluminum, Black Anodized Finish)	QVX

Technical Information

How to Order Graduations	QVX
ISO Fundamental Tolerances	QVX
Plastic Characteristics	QVX

Accessory

GN 826 Control Knob Flanges (for Adjustable Spindles)	QVX
---	-----

How to order

EN 626-40-B12-N

1	Outside diameter d_1
2	Bore d_2
3	Type

1.1
1.2
1.3
1.4
2.1
2.2
2.3
2.4

