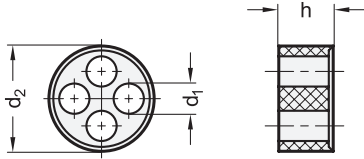
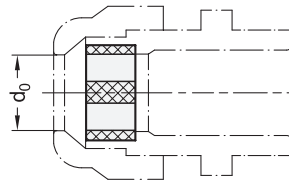


# GN 62444.3 Multiple Sealing Inserts

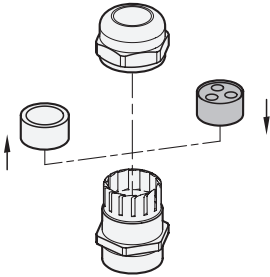
Plastic, for Cord Grips GN 62444



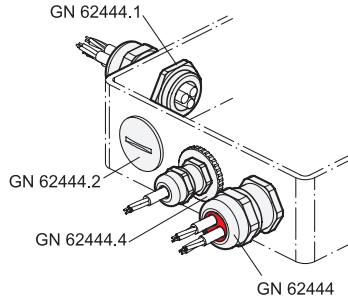
Metric



Mounting example



Application example



## Metric table

Dimensions in: millimeters / inches

d <sub>0</sub>	d <sub>1</sub> Bore	Number of holes			d <sub>2</sub>	h	For cord grips
		1	2	3			
8 0.31	2 0.08	3 0.12	4 0.16	-	10.6 0.42	7.5 0.30	GN 62444-...-8-...
8 0.31	3 0.12	2 0.08	4 0.16	-	10.6 0.42	7.5 0.30	GN 62444-...-8-...
10 0.39	4 0.16	2 0.08	3 0.12	-	13.3 0.52	8.5 0.33	GN 62444-...-10-...
10 0.39	5 0.20	2 0.08	3 0.12	-	13.3 0.52	8.5 0.33	GN 62444-...-10-...
12 0.47	4 0.16	3 0.12	-	-	15.3 0.60	8.5 0.33	GN 62444-...-12-...
12 0.47	5 0.20	2 0.08	3 0.12	-	15.3 0.60	8.5 0.33	GN 62444-...-12-...
12 0.47	6 0.24	2 0.08	-	-	15.3 0.60	8.5 0.33	GN 62444-...-12-...
14 0.55	4 0.16	2 0.08	3 0.12	5 0.20	17.4 0.69	9 0.35	GN 62444-...-14-...
14 0.55	5 0.20	4 0.16	-	-	17.4 0.69	9 0.35	GN 62444-...-14-...
14 0.55	6 0.24	2 0.08	3 0.12	4 0.16	17.4 0.69	9 0.35	GN 62444-...-14-...
17 0.67	6 0.24	2 0.08	3 0.12	-	19.8 0.78	9.3 0.37	GN 62444-...-17-...
17 0.67	8 0.31	2 0.08	-	-	19.8 0.78	9.3 0.37	GN 62444-...-17-...
18 0.71	5 0.20	4 0.16	-	-	22.2 0.87	11 0.43	GN 62444-...-18-...
18 0.71	7 0.28	2 0.08	3 0.12	4 0.16	22.2 0.87	11 0.43	GN 62444-...-18-...
18 0.71	8 0.31	2 0.08	3 0.12	-	22.2 0.87	11 0.43	GN 62444-...-18-...
18 0.71	9 0.35	2 0.08	-	-	22.2 0.87	11 0.43	GN 62444-...-18-...
21 0.83	6 0.24	6 0.24	-	-	25.1 0.99	12.5 0.49	GN 62444-...-21-...
21 0.83	7 0.28	4 0.16	-	-	25.1 0.99	12.5 0.49	GN 62444-...-21-...
21 0.83	8 0.31	4 0.16	-	-	25.1 0.99	12.5 0.49	GN 62444-...-21-...
25 0.98	5 0.20	8 0.31	-	-	29.8 1.17	13 0.51	GN 62444-...-25-...
25 0.98	8.5 0.33	5 0.20	-	-	29.8 1.17	13 0.51	GN 62444-...-25-...

## Specification

Plastic

Thermoplastic elastomer

- Operating temperature  
-22 °F to +212 °F (-30 °C to +100 °C)

- Black

RoHS

## Technical Information

Plastic Characteristics

4

TPE

Page

QVX

Multiple sealing inserts GN 62444.3 replace the simple seal inserts supplied with cord grips. This allows multiple cables or wires to be fed through a single cord grips, strain-relieved, and sealed.

see also...

GN 62444 Cord Grips (Metric Thread)

GN 62444 Cord Grips (PG Thread)

GN 62444 Cord Grips (NPT Thread)

Page

QVX

QVX

QVX

How to order

**GN62444.3-17-6-3-TPE**

1 Diameter d<sub>0</sub>

2 Bore d<sub>1</sub>

3 Number of holes

4 Material