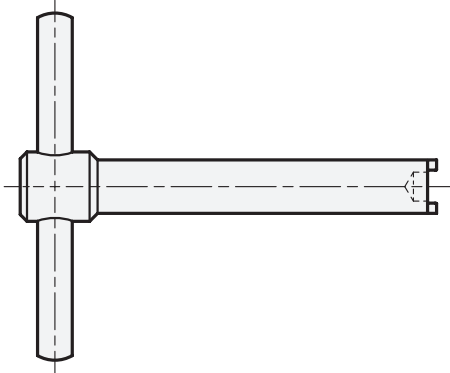


Metric



Metric table



Dimensions in: millimeters / inches

d ₁ Thread Ø of GN 616.2					
M 4	M 5	M 6	M 8	M 10	M 12

Specification

Steel

RoHS

Installation tools GN 611.2 are used in the installation of spring plungers GN 616.2.

see also...

GN 616.2 Spring Plungers

Page

QVX

How to order

GN611.2-M12

1 Thread d₁

