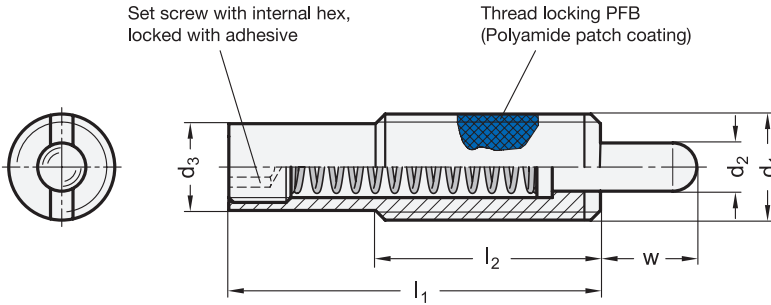


Metric



SS Stainless Steel

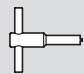
3 Type

- L** Steel, standard spring load
- LS** Steel, high spring load
- LN** Stainless steel, standard spring load
- LSN** Stainless steel, high spring load

Metric table

1 2

Dimensions in: millimeters / inches

d ₁	w Com- pression	d ₂	d ₃	l ₁	l ₂	A/F Internal hex	Spring load ≈				Part number installation tool 
							Standard (Type L / LN)		High (Type LS / LSN)		
							Initial	End	Initial	End	
M 10	8 0.31	4 0.16	7.8 0.31	35 1.38	25 0.98	3	6 N 1.35 lbf	16 N 3.60 lbf	12 N 2.70 lbf	22 N 4.95 lbf	GN 611.5-M10
M 12	10 0.39	5.5 0.22	9.5 0.37	43 1.69	35 1.38	4	4 N 0.90 lbf	18 N 4.05 lbf	7 N 1.57 lbf	46 N 10.34 lbf	GN 611.5-M12
M 16	10 0.39	8 0.31	13.4 0.53	48 1.89	35 1.38	6	7 N 1.57 lbf	24 N 5.40 lbf	10 N 2.25 lbf	43 N 9.67 lbf	GN 611.5-M16
M 16	15 0.59	8 0.31	13.4 0.53	58 2.28	35 1.38	6	9 N 2.02 lbf	33 N 7.42 lbf	10 N 2.25 lbf	57 N 12.81 lbf	GN 611.5-M16
M 16	20 0.79	8 0.31	13.4 0.53	58 2.28	35 1.38	6	4 N 0.90 lbf	23 N 5.17 lbf	-	-	GN 611.5-M16
M 16	20 0.79	8 0.31	13.4 0.53	83 3.27	35 1.38	6	-	-	18 N 4.05 lbf	72 N 16.19 lbf	GN 611.5-M16
M 16	25 0.98	8 0.31	13.4 0.53	98 3.86	35 1.38	6	13 N 2.92 lbf	41 N 9.22 lbf	20 N 4.50 lbf	70 N 15.74 lbf	GN 611.5-M16
M 16	30 1.18	8 0.31	13.4 0.53	98 3.86	35 1.38	6	13 N 2.92 lbf	47 N 10.57 lbf	20 N 4.50 lbf	80 N 17.98 lbf	GN 611.5-M16
M 16	40 1.57	8 0.31	13.4 0.53	148 5.83	35 1.38	6	13 N 2.92 lbf	63 N 14.16 lbf	21 N 4.72 lbf	113 N 25.40 lbf	GN 611.5-M16
M 16	50 1.97	8 0.31	13.4 0.53	148 5.83	35 1.38	6	7 N 1.57 lbf	43 N 9.67 lbf	13 N 2.92 lbf	75 N 16.86 lbf	GN 611.5-M16
M 24	15 0.59	10 0.39	19.6 0.77	60 2.36	45 1.77	8	14 N 3.15 lbf	87 N 19.56 lbf	40 N 8.99 lbf	192 N 43.16 lbf	GN 611.5-M24

Specification

Type L / LS

- Housing
Steel, blackened finish
- Nose pin
Steel, blackened finish
Case-hardened

Type LN / LSN

- Housing
Stainless steel AISI 303
- Nose pin
Stainless steel AISI 303
Nitrided

Spring

Steel

Identification of Type LS / LSN

Housing with 2 longitudinal markings

RoHS

Long stroke spring plungers GN 611 are used as ejectors, for push-on / push-off applications in the sheet metal industry, as well as for cushioners. The slot on the nose pin side is provided for blind hole applications. A special mounting tool GN 611.5 is available (see table).

Technical Information

PFB / PRB Thread Locking	Page QVX
Stainless Steel Characteristics	Page QVX

Accessory

GN 611.5 Installation Tools (Part No. See Table)	Page QVX
--	----------

How to order

GN 611-M16-15-L

- 1** Thread d₁
- 2** Compression w
- 3** Type

3.1
3.2
3.3
3.4
3.5
3.6
3.7
3.8
3.9
3.10