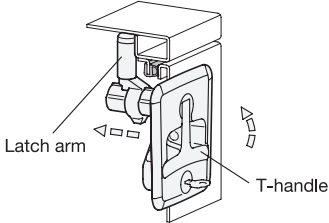
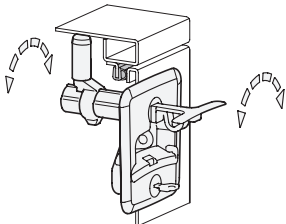
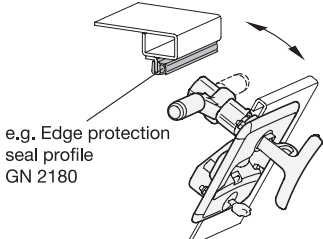
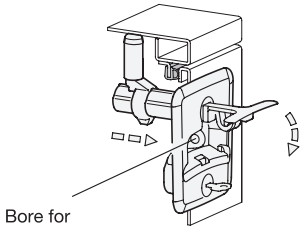


Description of function, operation	
 <p>Latch arm</p> <p>T-handle</p>	<p>The lift and turn compression latch is first unlocked with the key. When the T-handle is then folded out, the latch arm executes a 5 mm (0.20") linear stroke and lifts off of the frame.</p>
	<p>By rotating the T-handle by 90°, the latch arm moves into the open position.</p>
 <p>e.g. Edge protection seal profile GN 2180</p>	<p>In this position, doors and covers can be opened and closed.</p>
 <p>Bore for padlock</p>	<p>Rotating the T-handle another 90° moves the latch arm back into the lock position.</p> <p>Folding down the T-handle causes the lift and turn compression latch to execute a linear stroke that draws the latch arm against the frame.</p> <p>In this position, the lift and turn compression latch can be locked with the key or an additional padlock as needed.</p>

Installation opening

The installation opening must be designed according to the dimensions given in the sketch.

