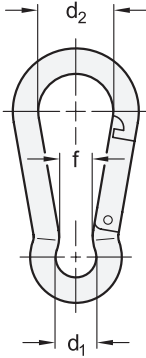
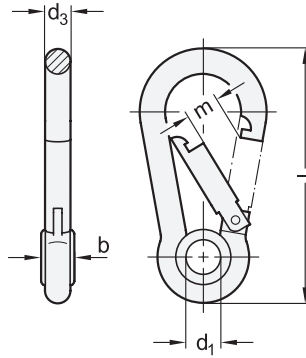


Type C



Type E



Metric



**SS** Stainless Steel

**1 Type**

- C** Open eye
- E** Closed eye (only in stainless steel)

**Metric table**

Dimensions in: millimeters / inches

Length l		b	d <sub>1</sub>		d <sub>2</sub>	d <sub>3</sub>	f	m	Static load ≈
Type C	Type E	Type E	Type C	Type E	min		min	min	
40 1.57	-	-	6 0.24	-	11 0.43	4 0.16	4.5 0.18	5 0.20	500 N 112 lbf
50 1.97	50 1.97	5.3 0.21	8 0.31	6 0.24	15 0.59	5 0.20	5.5 0.22	7 0.28	1200 N 270 lbf
60 2.36	60 2.36	6.4 0.25	9 0.35	7 0.28	17 0.67	6 0.24	6.5 0.26	8 0.31	1200 N 270 lbf
70 2.76	70 2.76	7.4 0.29	10 0.39	9 0.35	19 0.75	7 0.28	7.5 0.30	9 0.35	1800 N 405 lbf
80 3.15	80 3.15	8.4 0.33	12 0.47	10 0.39	23 0.91	8 0.31	9 0.35	10 0.39	2300 N 517 lbf
90 3.54	90 3.54	9.2 0.36	12 0.47	11 0.43	24 0.94	9 0.35	10.5 0.41	10 0.39	2500 N 562 lbf
100 3.94	100 3.94	10.2 0.40	15 0.59	13 0.51	29 1.14	10 0.39	11.5 0.45	13 0.51	3500 N 787 lbf
120 4.72	120 4.72	11.3 0.44	18 0.71	15 0.59	36 1.42	11 0.43	15 0.59	16 0.63	4500 N 1012 lbf

**Specification**

<b>Steel</b>	<b>ST</b>
Zinc plated	<b>ZB</b>
<b>Stainless steel</b> AISI 316	<b>A4</b>
Plain finish	<b>BL</b>
<b>RoHS</b>	

**Technical Information**

Stainless Steel Characteristics QVX

**Accessory**

GN 111.3 Key Rings QVX

Carabiners GN 5299 are used, for example, to connect tools or other components quickly and without tools or to secure them against loss. The carabiner is opened by hand and closes automatically by a concealed spring when released.

The eye of type E, which is fitted with a pressed-in, closed round thimble, enables captive mounting of the carabiners, e.g. by means of an appropriately pressed retaining cable.

Carabiners GN 5299 must not be used for lifting loads or lashing. The data on load capacity are approximate values to the exclusion of any liability.

**see also...**

	Page
GN 111.2 Retaining Cables (Stainless Steel)	QVX
GN 111.8 Retaining Cables (Stainless Steel AISI 316)	QVX
GN 111 Ball Chains (Brass)	QVX
GN 111.5 Ball Chains (Stainless Steel)	QVX
GN 111.4 Spiral Retaining Cables (Plastic)	QVX

**How to order**

**GN 5299-C-50-ST-ZB**

1	Type
2	Length l
3	Material
4	Finish

3.1  
3.2  
3.3  
3.4  
3.5  
3.6  
3.7  
3.8  
3.9  
3.10